



MODEL #750.33

218 E. Dowland Street • Ludington, MI 49431-0649  
www.carrom.com

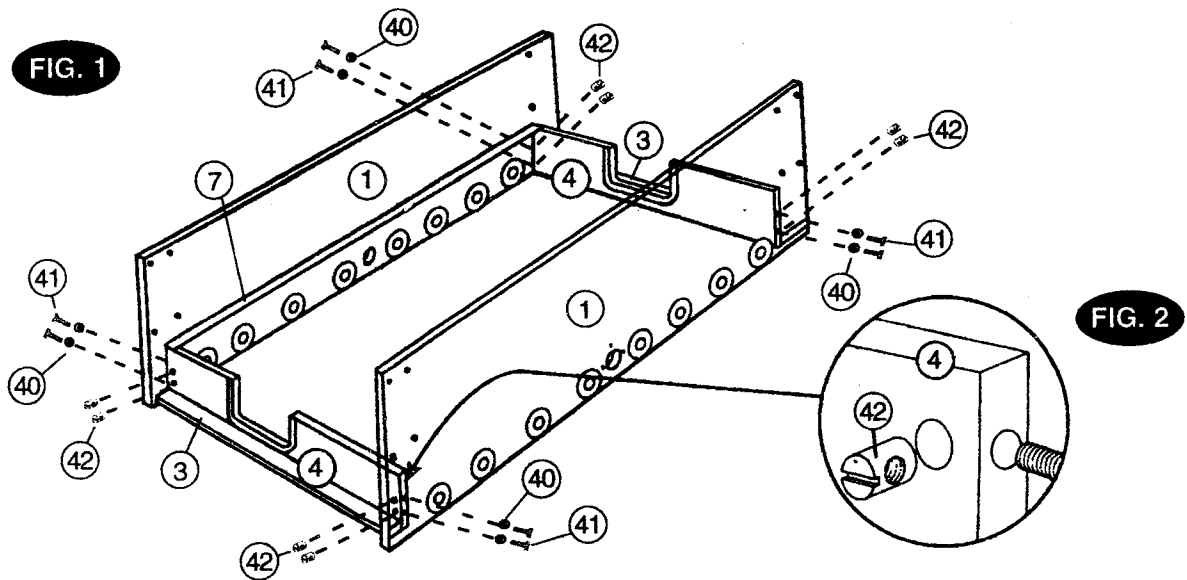
# World Championship Soccer

ASSEMBLY &  
INSTRUCTION MANUAL

### TOOLS REQUIRED

- Hammer
- Adjustable Wrench
- Phillips Screwdriver
- Straight Blade Screwdriver

**NOTICE: THIS PRODUCT IS INTENDED FOR USE BY  
OR UNDER SUPERVISION OF ADULTS**



## GAME ASSEMBLY INSTRUCTIONS - FIGURES 1 & 2

1. Open the carton of your new WORLD CHAMPIONSHIP SOCCER GAME near where you will play. Select a clear level floor. The table will be assembled upside down, and then turned over onto its legs. This is a very heavy table game, and turning it over will require at least two strong adults.

2. With top edges down, assemble (2) SIDES (item #1), with GREEN PLAY FIELD "F" EXTRUSION (item #7) facing inward, and GOAL END BOARDS (item #4) with slotted surface facing outward. Use 1/4 - 20 x 2 1/4" BOLTS (item #41), 1/4" ID FLAT STEEL WASHERS (item #40) and CROSS DOWEL BARREL NUTS (item #42), See Figure 2. Make connections finger tight at this time.  
**Note: Your table is assembled using CROSS DOWEL BARREL NUTS for a strong permanent connection. CROSS DOWEL BARREL NUTS must be bottomed in the hole with slotted end outward, the slot in line (parallel) with the mating machine screw. For proper assembly, make sure that the bolt and inserts are aligned and engaged.**

3. Select (2) TOP SLATS (item #3) and with finished surface down, insert tenons into the slots of the assembled GOAL END BOARDS (items #4).

**FOR TOLL-FREE TECHNICAL ASSISTANCE ABOUT ASSEMBLY, OPERATION, OR REPLACEMENT PARTS PLEASE CALL US AT: 1-800-223-6047**

2

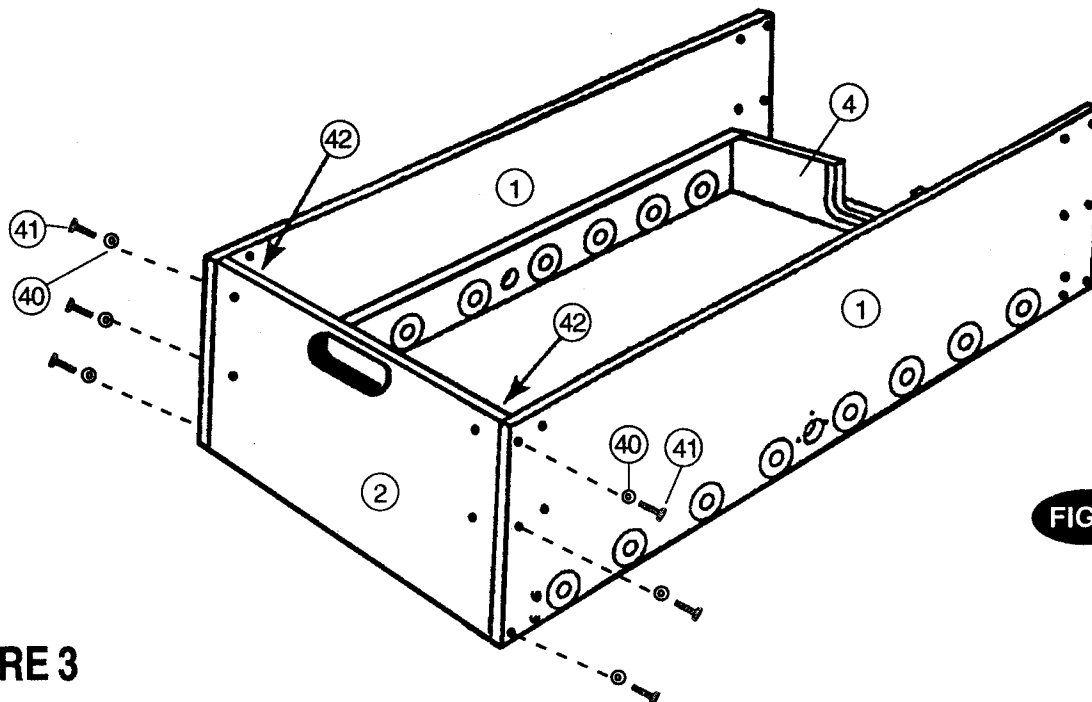


FIG. 3

FIGURE 3

4. Now assemble CABINET END (item #2) with the slotted side facing inward. This slot should fit on tenon of the TOP SLAT. Use (6) 1/4 - 20 x 2 1/4" BOLTS (item #41), (6) FLAT STEEL WASHERS (item #40) and (6) CROSS DOWEL BARREL NUTS (item #42) refer to Figure 2. Make connection finger tight at this time.

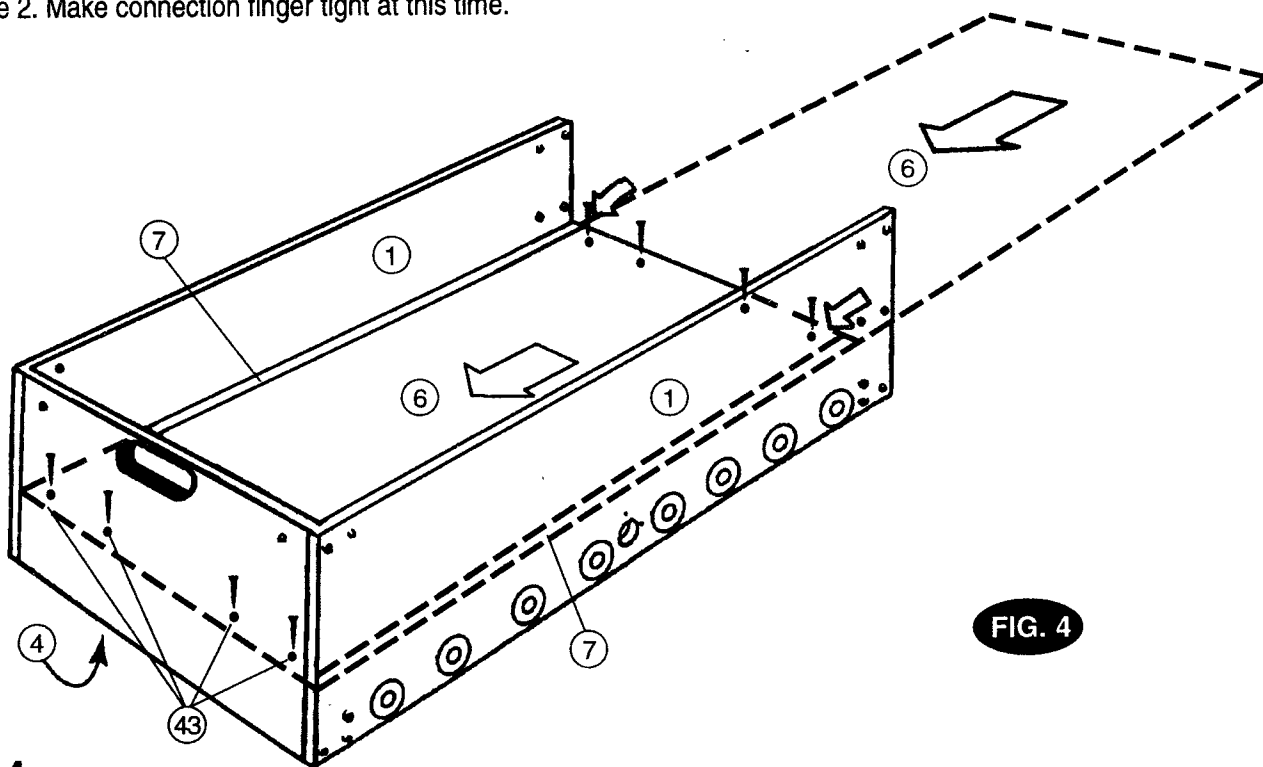


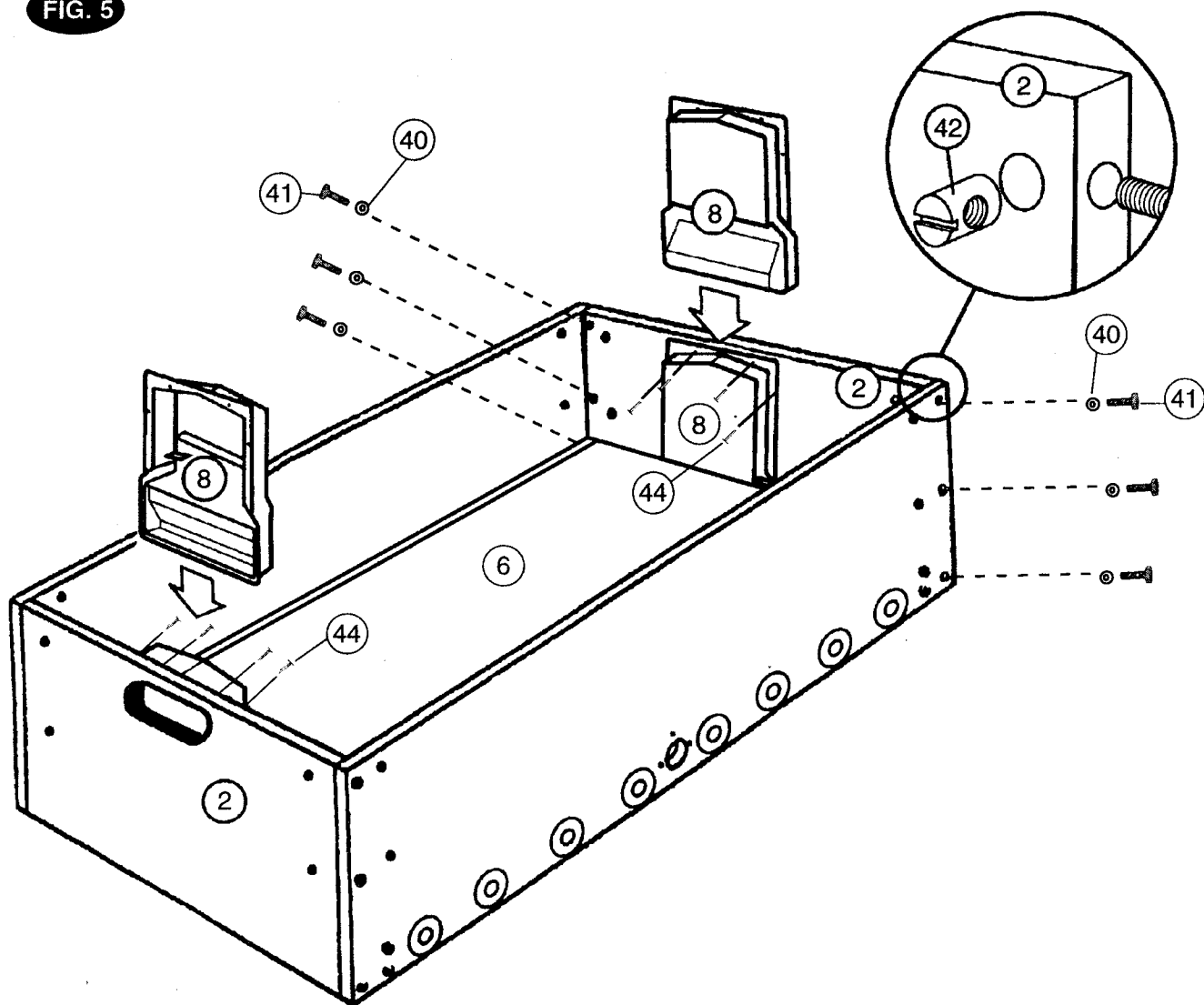
FIG. 4

FIGURE 4

5. Slide the PLAYING FIELD (item #6), with playing surface graphics facing down, into the GREEN PLAY FIELD "F" EXTRUSION (item #7) attached to the inside of the two SIDES (item #1). (If the field does not slide smoothly check to be sure you have not overtightened the connecting BOLTS.) Center the field on the two GOAL END BOARDS (item #4). Secure firmly with (4) #6 x 1" S ZINC fasteners (item #43) at each end.

FOR TOLL-FREE TECHNICAL ASSISTANCE ABOUT ASSEMBLY, OPERATION, OR REPLACEMENT PARTS PLEASE CALL US AT: 1-800-223-6047

FIG. 5



## FIGURE 5

6. Assemble the other CABINET END (item #2) with the slotted side facing inward. This slot fits on the tenon of the top of the TOP SLAT. Use (6) 1/4 - 20 x 2 1/4" BOLTS (item #41), (6) FLAT STEEL WASHERS (item #40), and (6) CROSS DOWEL BARREL NUTS (item #42), as in step #4. Make connection finger tight at this time.

7. Center the BALL CATCHER (item #8) over the GOAL END BOARD opening and attach the BALL CATCHER to the GOAL END (item #2) with (4) #6 x 1/2" TRUSS HEAD SMS ZINC SCREWS (item #44). Secure firmly. Repeat at other end.

**FOR TOLL-FREE TECHNICAL ASSISTANCE ABOUT ASSEMBLY, OPERATION, OR REPLACEMENT PARTS PLEASE CALL US AT: 1-800-223-6047**

FIG. 6

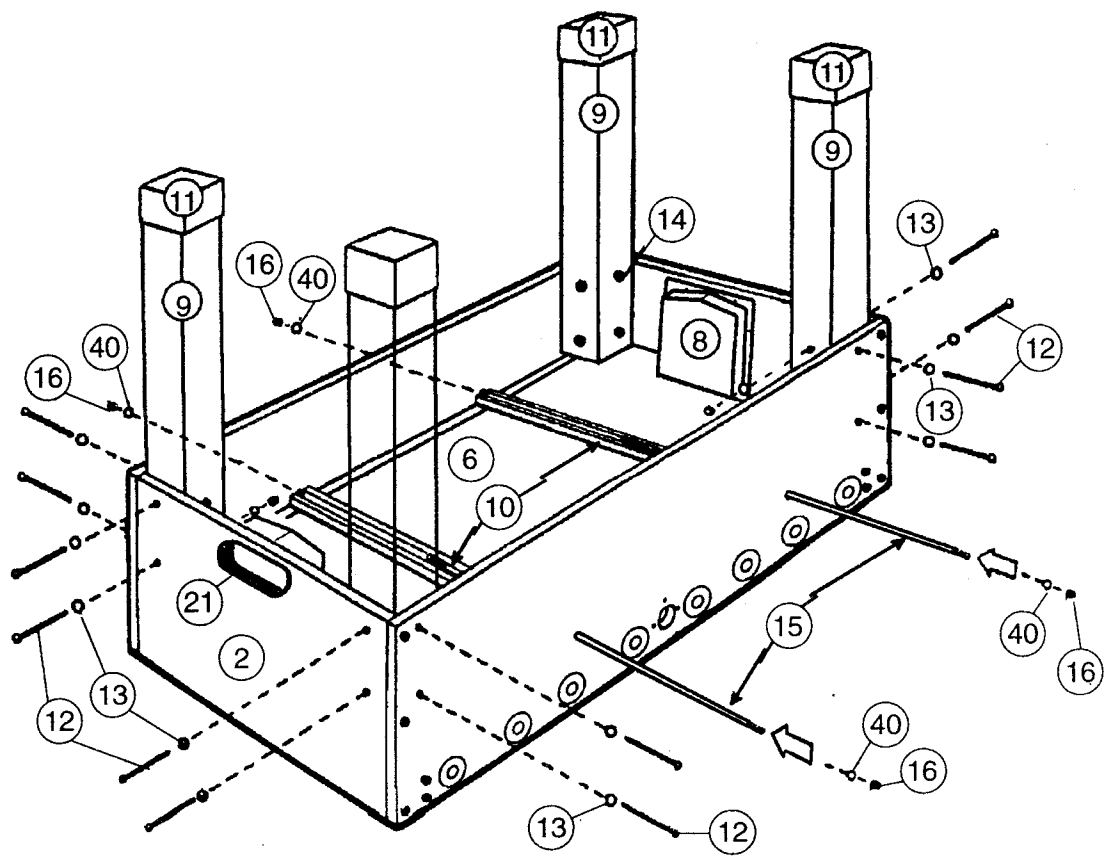


FIGURE 6

8. Assemble each LEG (item #9) by using (4) 3/8 - 16 - 2" HEX HEAD BOLTS (item #12), with (4) FLAT BLACK WASHERS (ite #13). Make connections finger tight. Be sure LEG BOOTS (item #11) are firmly in place.

9. Lay the FIELD SUPPORT BRACES (item #10) on the PLAYING FIELD (item #6) with slots aligned to holes in CABINET SIDE. Insert THREADED RODS (item #15) through holes in SIDES and in slots. Fasten with 1/4 ID FLAT WASHERS (item #40) ar ACORN NUTS (item #16) on both sides of CABINET. Tighten connections snug.

10. Lift the table assembly from the floor with two strong adults, turn over, and set table on its legs in the location where you w play. Tighten all remaining connections snug. At each connection assure that the top surfaces of mating pieces are flush, the tighten each bolt with the proper sized wrench. Check the ACORN NUTS (item #16), tighten down so that the FIELD SUPPOF BRACES (item #10) are firmly in place.

**CAUTION! SAFETY COMES FIRST!**  
**TABLE IS VERY HEAVY.**

**IF TABLE IS PLACED ON AN ANGLE TO THE FLOOR, TABLE MAY BECOME DAMAGED. TWO STRONG ADULTS ARE RECOMMENDED TO FLIP TABLE AS SHOWN.**

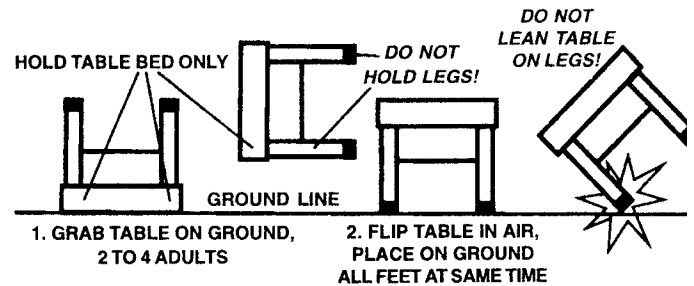
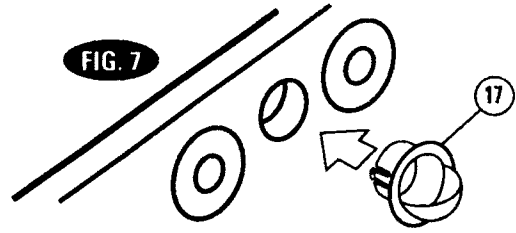


FIGURE 7

11. Snap into the center hole of each side of the TABLE a BALL ENTRY CUP (item #17).



**FOR TOLL-FREE TECHNICAL ASSISTANCE ABOUT ASSEMBLY, OPERATION, OR REPLACEMENT PARTS PLEASE CALL US AT: 1-800-223-6047**

12. Work from one side of the TABLE, and start with the RED PLAYERS. Notice that there are **three** different types of RODS (items #24, #25, and #26), for each team.

**WARNING!!! IT MAY BE THAT THE PLAYING RODS (ITEMS #25 AND #26), FIT TOO TIGHTLY WHEN INSERTED INTO THE PLASTIC ROD BEARING, (ITEM #18).** This over-tightness is simply due to the fact that two (2) halves of the PLASTIC ROD BEARING are not fully pushed together, so that the snap fit catches are not properly engaged; **See illustration A.** The problem is easily fixed by firmly pressing together the inside and outside halves of the PLASTIC ROD BEARING. This can be done with firm hand pressure, or by softly tapping the outside half with a rubber mallet or a cloth covered hammer.

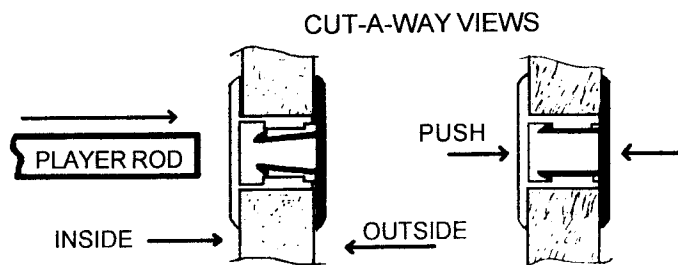


Illustration A

13. Select two RODS (item #24), one ROD (item #26). Notice that there is a hole near the end of each ROD. On the hole end of each ROD, place a RUBBER ROD GRIP (item #27). **Note that the RUBBER ROD GRIP will cover the end hole.** (If necessary, use a drop of liquid soap to help slide the grip on the rod.)

14. Insert one ROD (item #24) into the PLASTIC ROD BEARING in the far corner hole on the left side of the CABINET. See Figure 8. Next, slide onto the ROD, one by one. **In this order, the following items (See Figure 9):** PLASTIC WASHER (item #28), RUBBER BUMPER (item #29), STEEL WASHER (item #30), PLASTIC WASHER, RED TEAM PLAYER (item #32) (**with back to goal**), RED TEAM PLAYER, continue with RED TEAM PLAYER, PLASTIC WASHER, STEEL WASHER, RUBBER BUMPER, and PLASTIC WASHER.

Slide assembled ROD (item #24) through the PLASTIC ROD BEARING on the opposite side of the cabinet. Put RUBBER ROD END CAP (item #34) on end of ROD. Attach RED TEAM PLAYER (item #32) to the holes in ROD with #8 - 32 x 1 1/4" SLOTTED HD MACHINE SCREWS (item #35) and PLASTIC LOCKNUTS (item #36).

15. Insert RODS (item #25, #26 and #24) into the second, fourth and sixth holes respectively, **counting from the far left corner.** See Figure 8. Slide onto the ROD, one by one. **In this order (See Figure 9):** PLASTIC WASHER (item #28), RUBBER BUMPER (item #29) STEEL WASHER (item #30), PLASTIC WASHER (item #28), then (2) RED TEAM PLAYERS, on the second hole ROD (item #25)); (5) RED TEAM PLAYERS, on the fourth hole ROD (item #26); (3) RED TEAM PLAYERS, on the sixth hole ROD (item #24), (**all facing the same direction as the goalie**). Finish rods with PLASTIC WASHER (item #28), STEEL WASHER (item #30), RUBBER BUMPER (item #29), PLASTIC WASHER (item #28).

Slide RODS through the PLASTIC BEARING on the opposite side of the cabinet. Put RUBBER ROD END CAPS (item #34) on the end of each ROD.

Attach PLAYERS to the holes in the RODS with #8 - 32 x 1 1/4" SLOTTED HEAD MACHINE SCREWS (item #35) and PLASTIC LOCKNUTS (item #36).

16. Assemble the BLUE PLAYERS in the same way on the other side. Make sure that all BLUE PLAYERS face in one direction, and that all the RED PLAYERS face the opposite direction, all GOALIES, (See Detail A), with backs to the goal they defend.

17. Assemble the SCORER ROD and NUMBER ASSEMBLY (item #22), and two SCORER END PIECES (item #23), positioned with numbers facing the PLAYING FIELD, into the pre-drilled holes on the APRON TOP SLAT (item #3). Fasten with (4) #6 x 1/2" FLT HD ZINC SCREWS (item #19). Repeat for other SCORER.

18. To level table, put shims (not furnished) inside the appropriate LEG BOOTS (item #11).

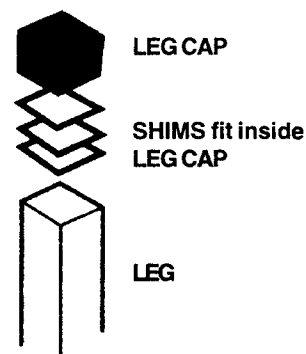


FIG. 8

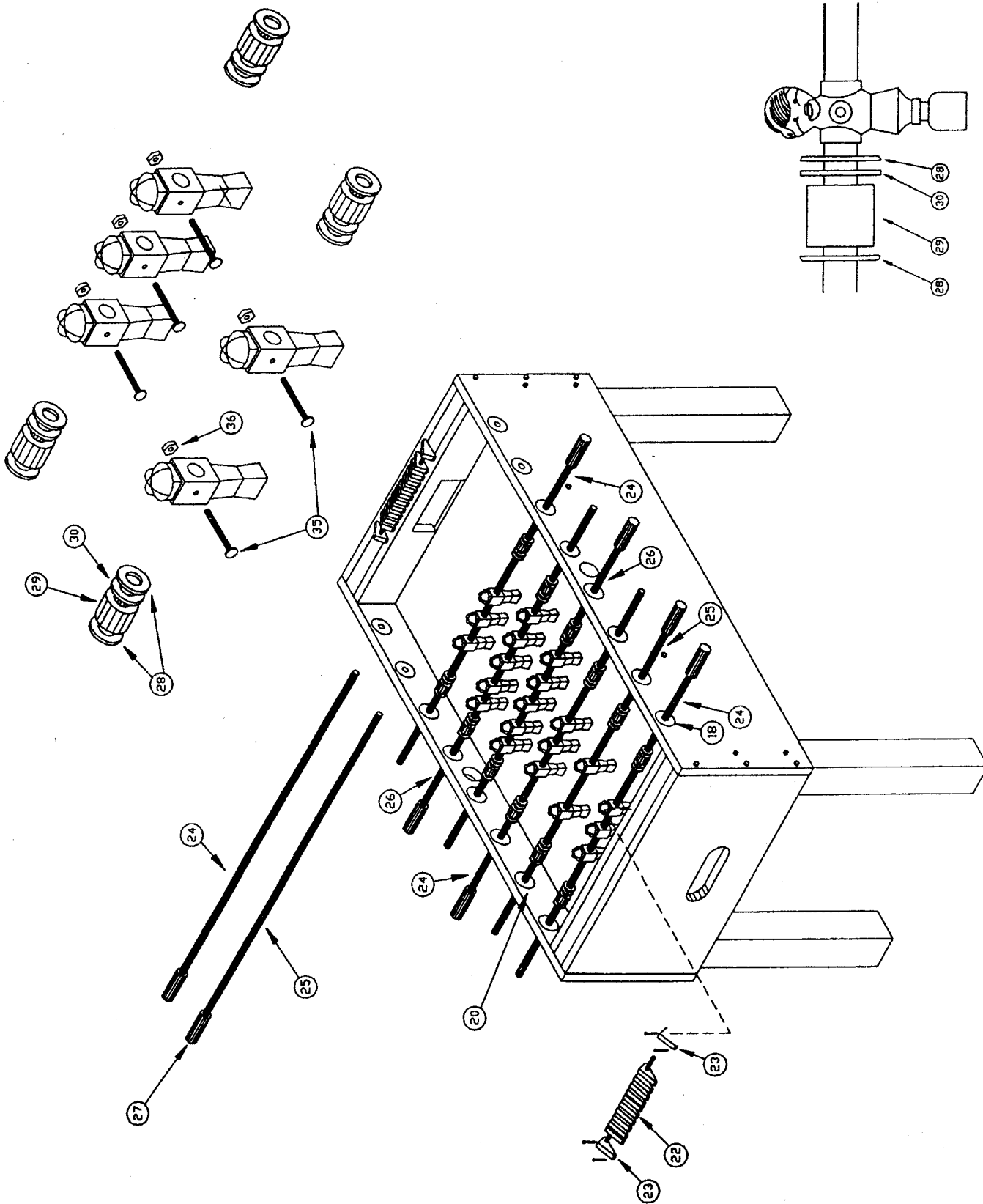
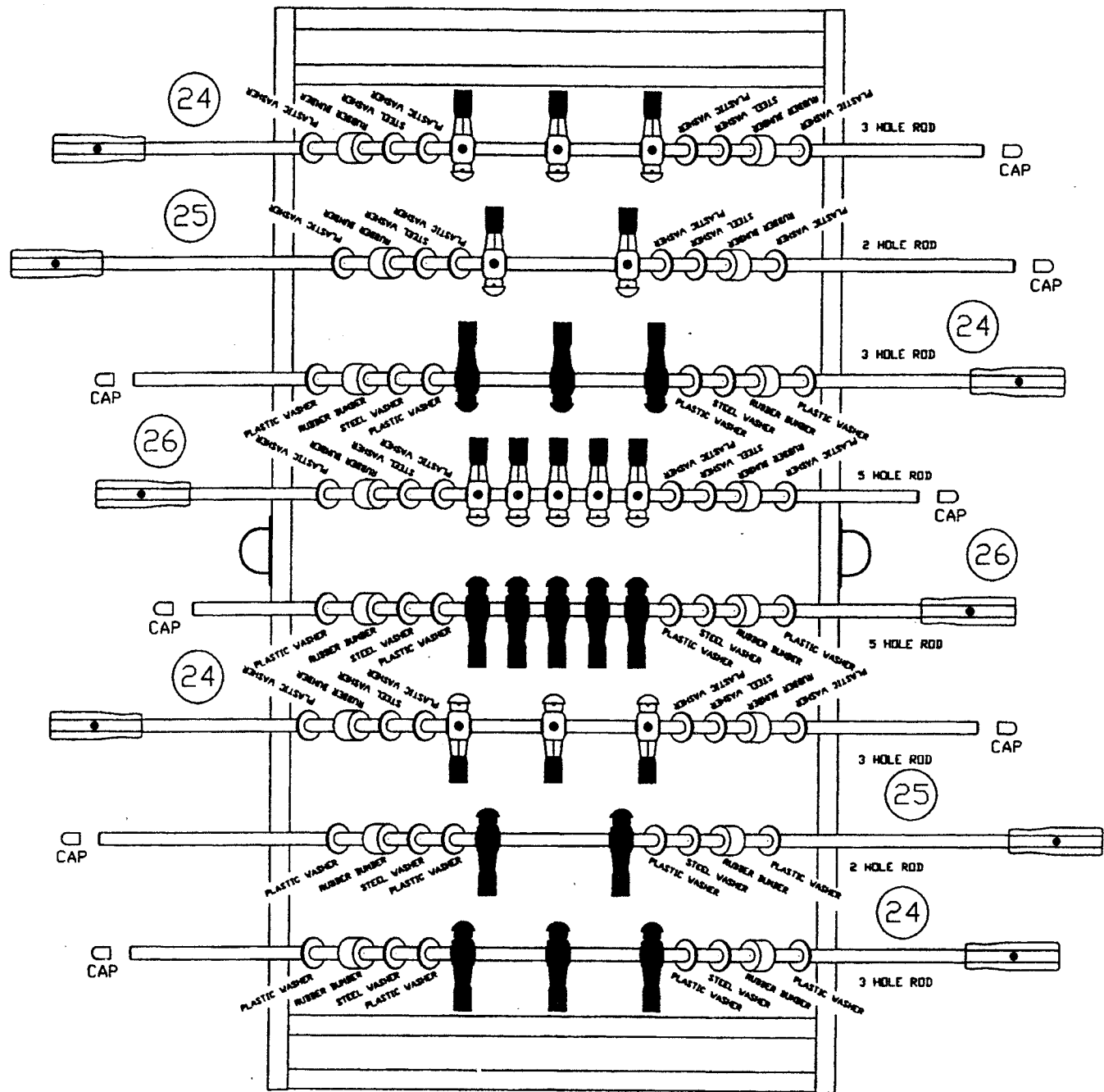
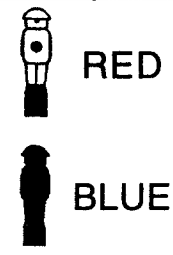


FIG. 9



TEAM LINE-UP



# Parts List for -- WORLD CHAMPIONSHIP SOCCER

ITEM #	PART #	DESCRIPTION	QUANTITY
1.	750.33.20	CABINET SIDE	2
2.	750.33.30	CABINET END	2
3.	750.27.60	APRON TOP SLAT	2
4.	750.33.50	GOAL END BOARD	2
5.	05.755.10	U-SHAPE GOAL BEZEL--INNER	2
6.	750.27.12	PLAYING FIELD--GREEN--FLAT	1
7.	05.755.07	PLAY FIELD "F" EXTRUSION (Green)	2
8.	05.755.13	BALL CATCHER	2
9.	01.744.04	LEG	4
10.	750.07.10	PLAY FIELD SUPPORT STRIP	2
11.	05.770.40	LEG BOOT	4
12.	09.755.42	3/8 - 16 X 2" BOLT (Black)	16
13.	09.755.41	3/8" - ID FLAT WASHER (Black)	16
15.	09.755.40	THREADED ROD 1/4" X 29 - 5/16	2
16.	09.755.25	1/4 - 20 ACORN NUT (Black)	4
17.	05.755.12	BALL ENTRY CUP	2
18.	05.755.15	ROD BEARING - Outer	16
19.	19-110-05	#6 x 1/2" FLT HD SCREW ZINC--For Scorekeeper	8
20.	05.755.14	ROD BEARING - Inner	16
21.	05.755.11	GOAL FLANGE - Outer - End Apron Hole Liner	2
22.	19-110-6	SCORER ROD AND NUMBER Assembly	2
23.	19-110-7	SCORER END PIECE	4
24.	19-110-8	3 MAN ROD; 3 center holes	4
25.	19-110-9	2MAN ROD; 2 center holes	2
26.	19-110-10	5 MAN ROD;5 center holes	2
27.	19-110-11	ROD GRIP	8
28.	19-110-12	1 1/2" DIA. PLASTIC WASHER	32
29.	19-110-13	RUBBER BUMPER	16
30.	19-110-14	1 1/2" DIA. STEEL WASHER	16
32.	19-110-16	RED TEAM PLAYER	13
33.	19-110-17	BLUE TEAM PLAYER	13
34.	19-110-18	ROD END CAP	8
35.	19-110-19	#8 - 32 X 1 1/4" SLOTTED HD M.S. for Men	26
36.	19-110-20	#8 - 32 PLASTIC LOCK NUT	26
37.	19-110-21	WORLD CHAMPIONSHIP SOCCER BALLS	4
38.	07.755.04	WORLD CHAMPIONSHIP SOCCER MANUAL,	1
39.	09.755.24	#6 x 3/8" FLAT HD (Black), for flange	4
40.	09.755.22	1/4" ID FLAT WASHER BO	24
41.	09.755.26	1/4" - 20 X 2 1/4" HH BOLT, Black	20
42.	09.755.23	1/4" - 20 CROSS DOWEL BARREL NUT	20
43.	09.755.21	#6 x 1" PH PAN HEAD SMS, ZINC	8
44.	09.755.20	#6 x 1/2" TRUSS HD SMS, ZINC	8

**FOR TOLL-FREE TECHNICAL ASSISTANCE ABOUT ASSEMBLY, OPERATION, OR REPLACEMENT PARTS PLEASE CALL US AT: 1-800-223-6047**