

ASSEMBLY INSTRUCTIONS AND RULES



Soccer Table

**Model # G01883
73615**





We strive to ensure that our products are of the highest quality and free of manufacturing defects or missing parts. However, if you have any problems with your new product,

DO NOT RETURN IT TO THE STORE,

please contact us toll free @:

1-866-556-2757

FAX: 1-866-873-3531

foosball@escaladesports.com

Or write to:

Escalade Sports

Customer Service Department

P.O. Box 889

Evansville IN 47706

Please visit our Web site at:

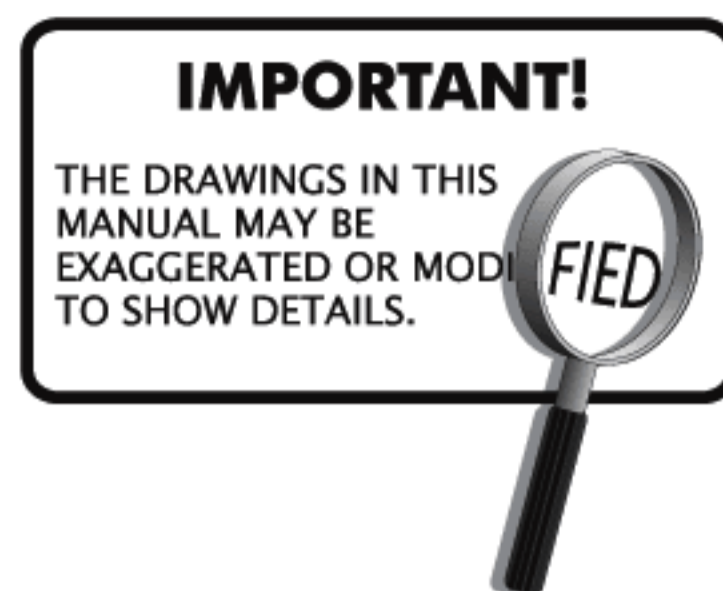
www.escaladesports.com

Please have your model number when inquiring about parts.

When contacting Escalade Sports please provide your model number, serial number (if applicable), and part number if requesting a replacement part. These numbers are located on the product, packaging, and in this owners manual.

Your Model Number **G01883**

IMPORTANT! READ THIS MANUAL ALL THE WAY THROUGH BEFORE BEGINNING TO PUT YOUR GAME TABLE TOGETHER! THEN READ EACH STEP BEFORE STARTING THAT STEP.



TWO ADULTS ARE REQUIRED TO ASSEMBLE THIS GAME TABLE

Tools Required:

Allen Wrench T1 Included with the table
Phillips Screwdriver
Furniture Polish and Cloth

An electric screwdriver is helpful in assembly. However, please set at low torque and use extreme caution with an electric screwdriver because you could overtighten the hardware and strip the screws.

Assembly Tips

Make sure you understand the following tips before you begin to assemble your soccer table.

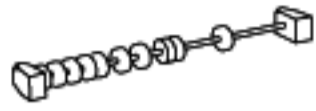
1. When installing parts that have more than one bolt, start **ALL** the bolts in that part by hand before tightening anything.
2. Some drawings or images in this manual may not look exactly like your product. Please read and understand the text before starting each assembly step.

WARNING:

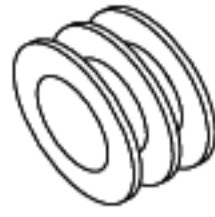
READ AND FOLLOW ALL ASSEMBLY, OPERATION, AND SAFETY INSTRUCTIONS CAREFULLY. AT LEAST TWO ADULTS ARE NEEDED TO PUT THIS GAME TABLE TOGETHER.

Assembly Parts

Not To Scale



P1 slide scorer (2)



P2 Rubber Bumper (16)



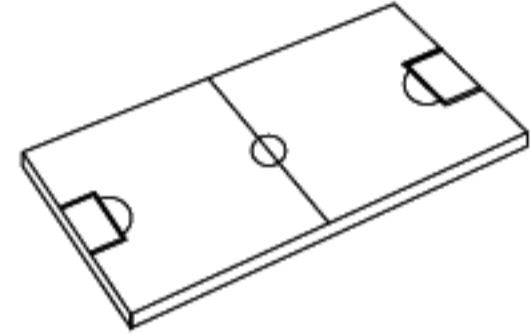
P3 handle (8)



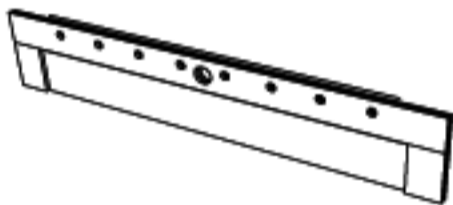
P4 rod cap (8)



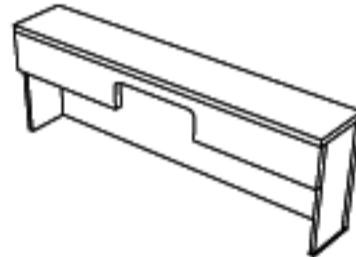
P5 ball entry cup (2)



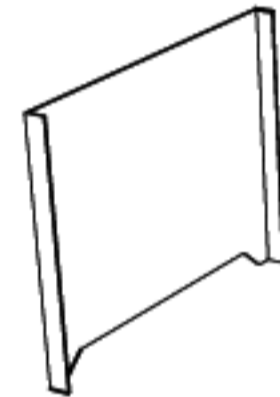
P6 playfield (1)



P7 side panel (2)



P8 end panel (2)



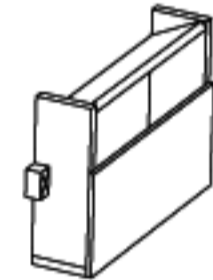
P9 leg Panel (2)



P10A left leg (2)



P10B right leg (2)



P11 Goal Catcher (2)



C1 3player rod Only (4)



C2 5player rod Only (2)



C3 2player rod Only (2)



C4 Ivory player (13)



C5 Red player (13)

Step 1

Locate 4 pcs C1(3)player rod
2 pcs C2(5)player rod
2 pcs C3(2)player rod
13 pcs C4-Ivory players
13 pcs C5-Red players

Locate 32 pcs(H2)Plastics washers
Locate 16 pcs(P2)Bumper
Locate 26 pcs(H8)Player bolt
Locate 26 pcs(H9)Nut

See Figure 1 inset , then proceed.

Find 5 player rod C2, be sure the small hole in the end of the rod is on the right side.
Slide 5 red players C5 onto rod with hex opening in the player facing you.

Attach men to rod using bolts H8 and nuts H9.

Find 3 player rod C1, assemble as above.

Find 2 player rod C3, assemble as above.

Find 5 player rod C2, be sure the small hole in the end of the rod is on the left side.

Slide 5 ivory lplayers C4 onto rod with hex opening in the player facing you.

Attach men to rod using bolts H8 and nuts H9

Find 3 player rod C1, assemble as above.

Find 2 player rod C3, assemble as above.

Step 2. On each rod end, slide a plastic washer H2, rubber bumper P2, and another plastic washer H2.

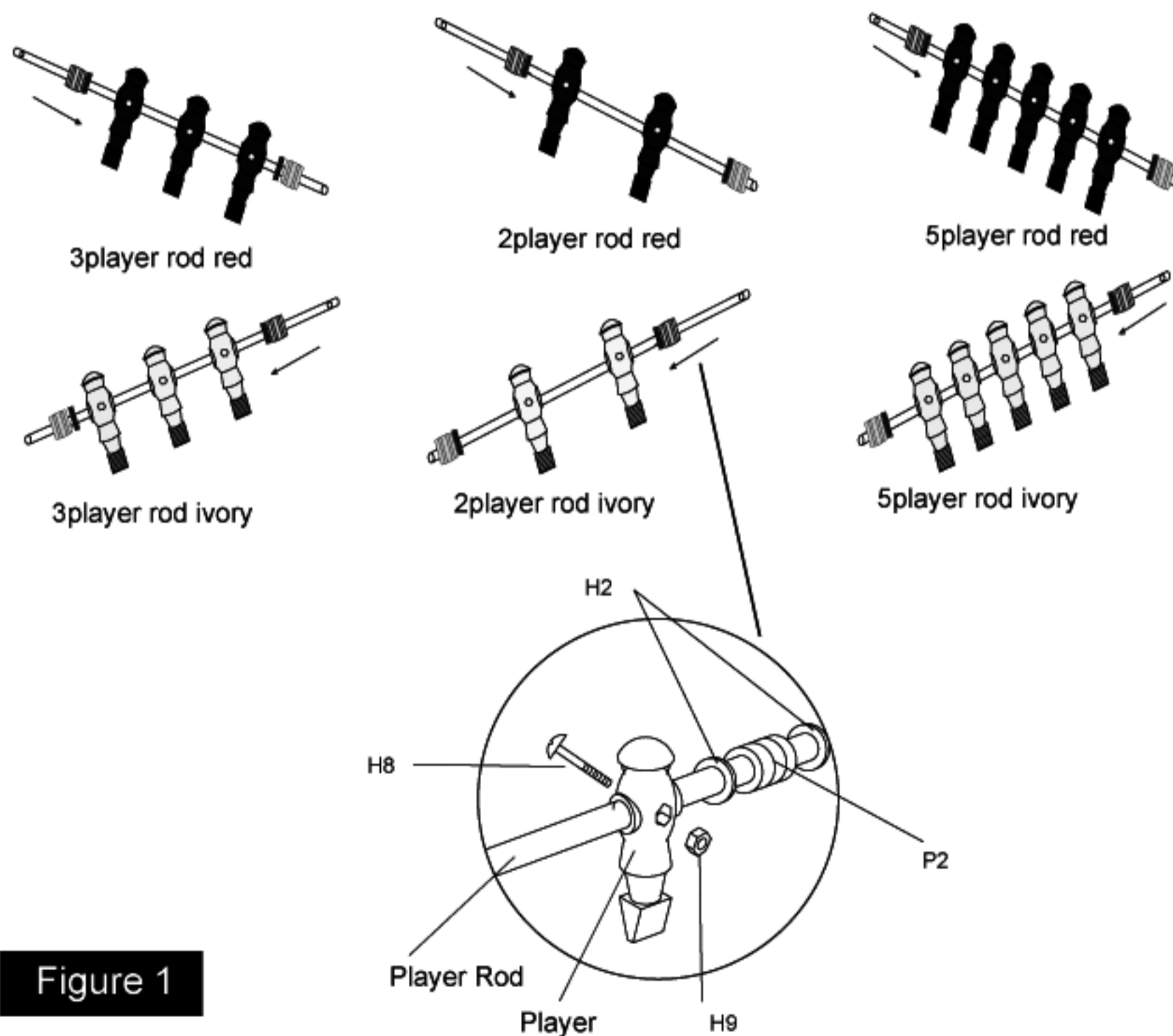


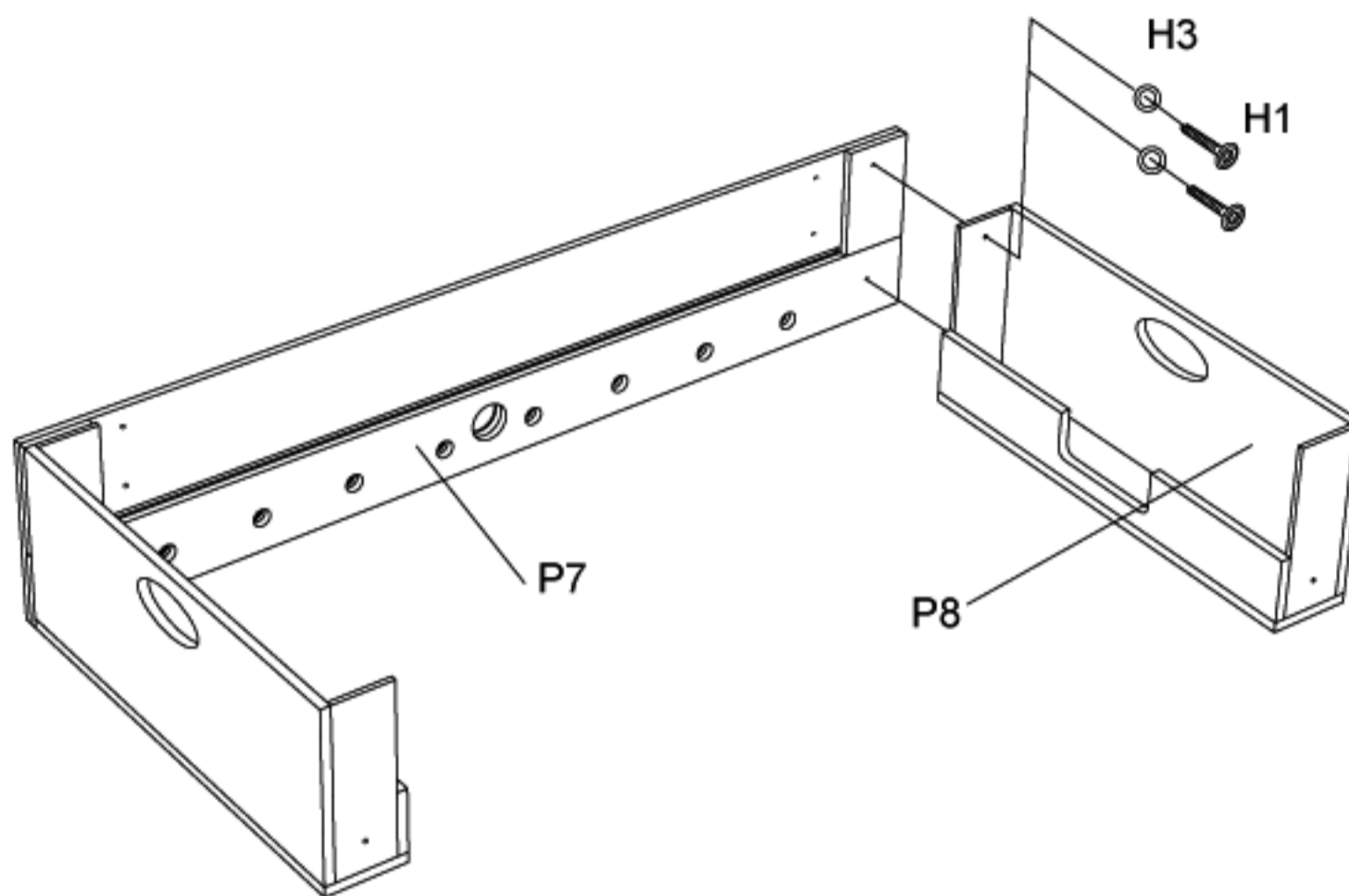
Figure 1



On the following page you will be assembling the main cabinet of your soccer table. Because your table has no exposed hardware, you want to make sure you have your end panels and side panels aligned correctly BEFORE you put the corner posts and legs on and flip the table over. Failure to align these pieces now could result in a timely re-alignment later.

Critical Alignment Area

REMEMBER TO START ALL HARDWARE BY HAND BEFORE YOU TIGHTEN ANY OF THE HARDWARE



Step 2 Attach end panel P8 to side panel P7 with bolts H1 and washer H3. Use the allen wrench T1 provided.

Note: This is done upside down for ease of assembly.



CAUTION:

Please set the rods as shown noting the location of the hole / handle end.

Figure 2

Step 3

Insert Player rod through side panel. Be careful to place the rod end hole locations as noted in Figure 3.

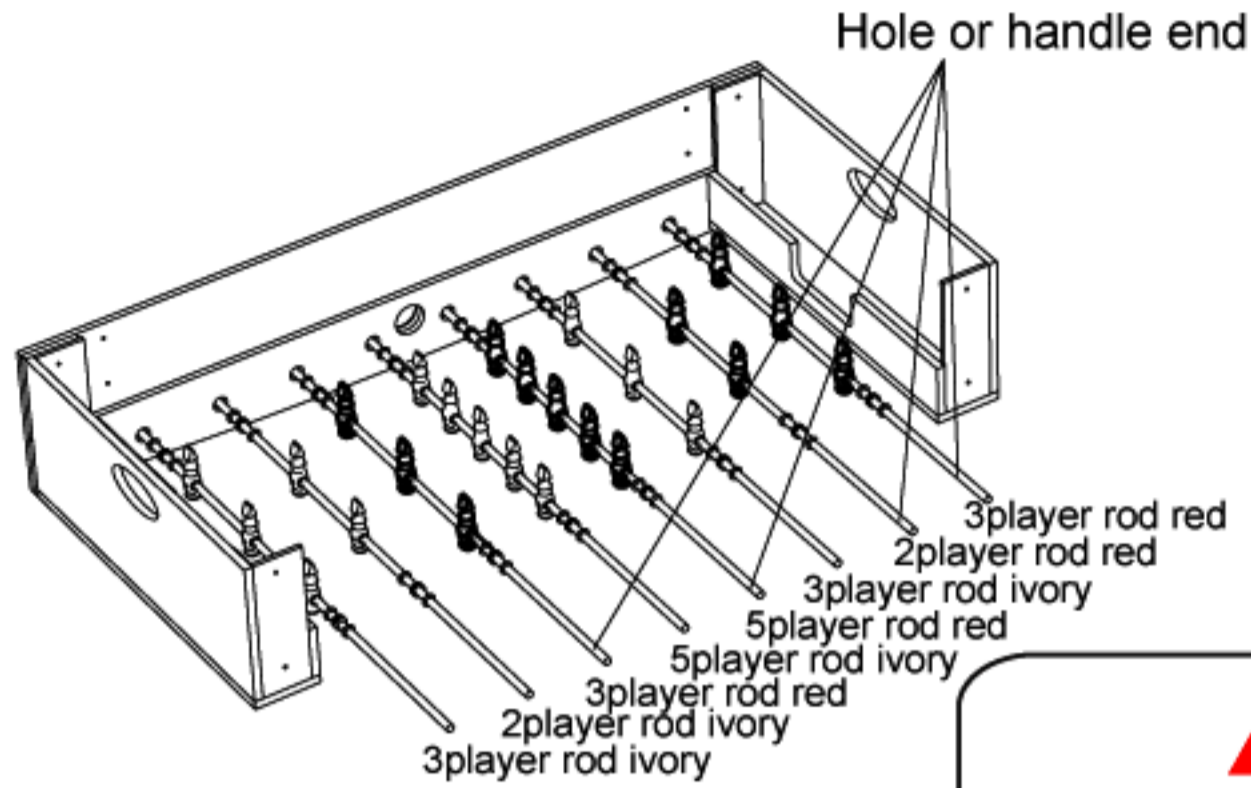


Figure 3

CAUTION:

Please set the rods as shown noting the location of the hole/handle end

Step 4

Slide the playfield P6 face down into the cabine as shown.

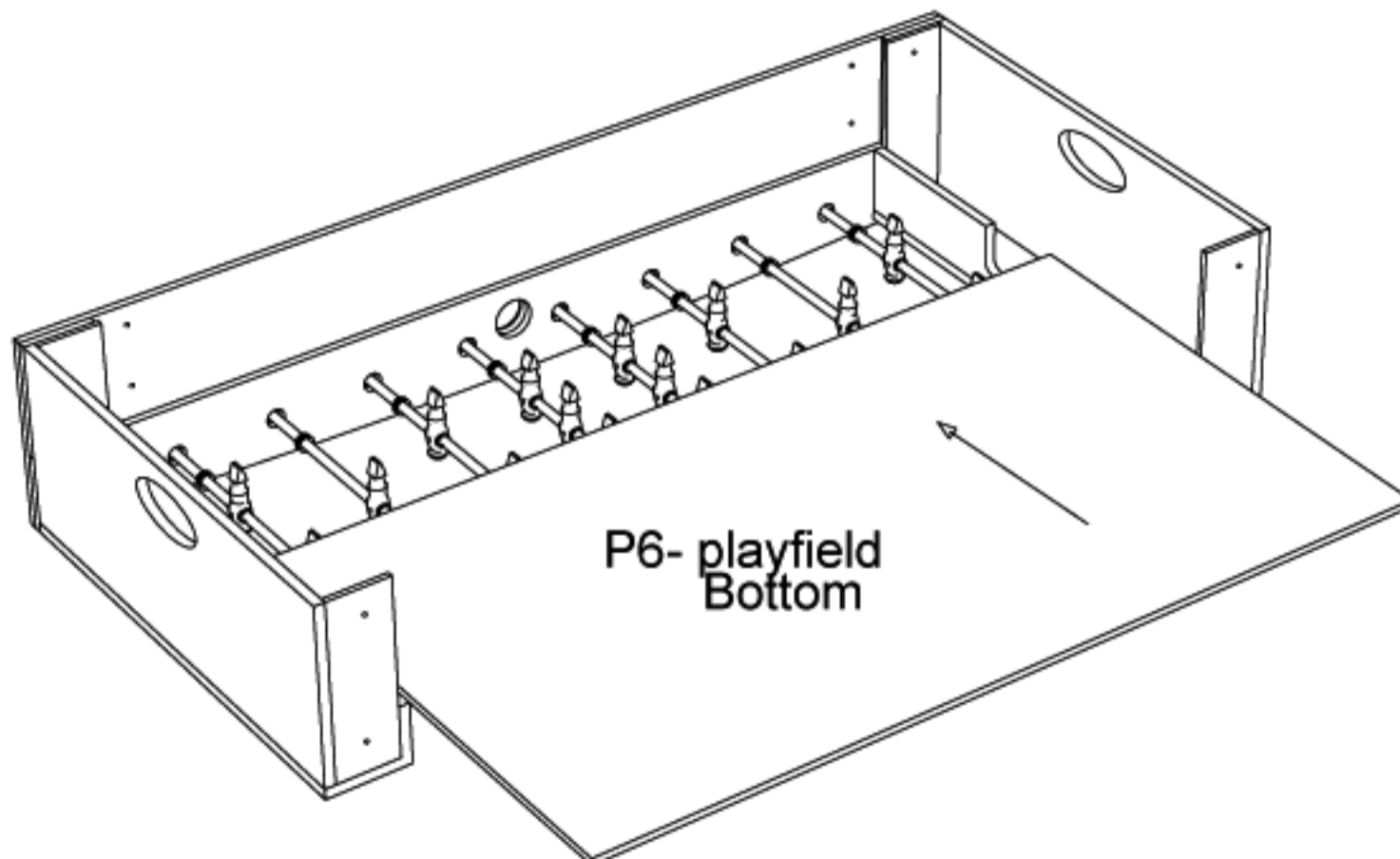


Figure 4

CAUTION:

Make sure side and end panels are flush

Step 5

Install other side panel P7.

Attach side panel P7 with bolts H1 and washers H3. Next, secure the playfield P6 using screws H5. Tighten all hardware at this time.

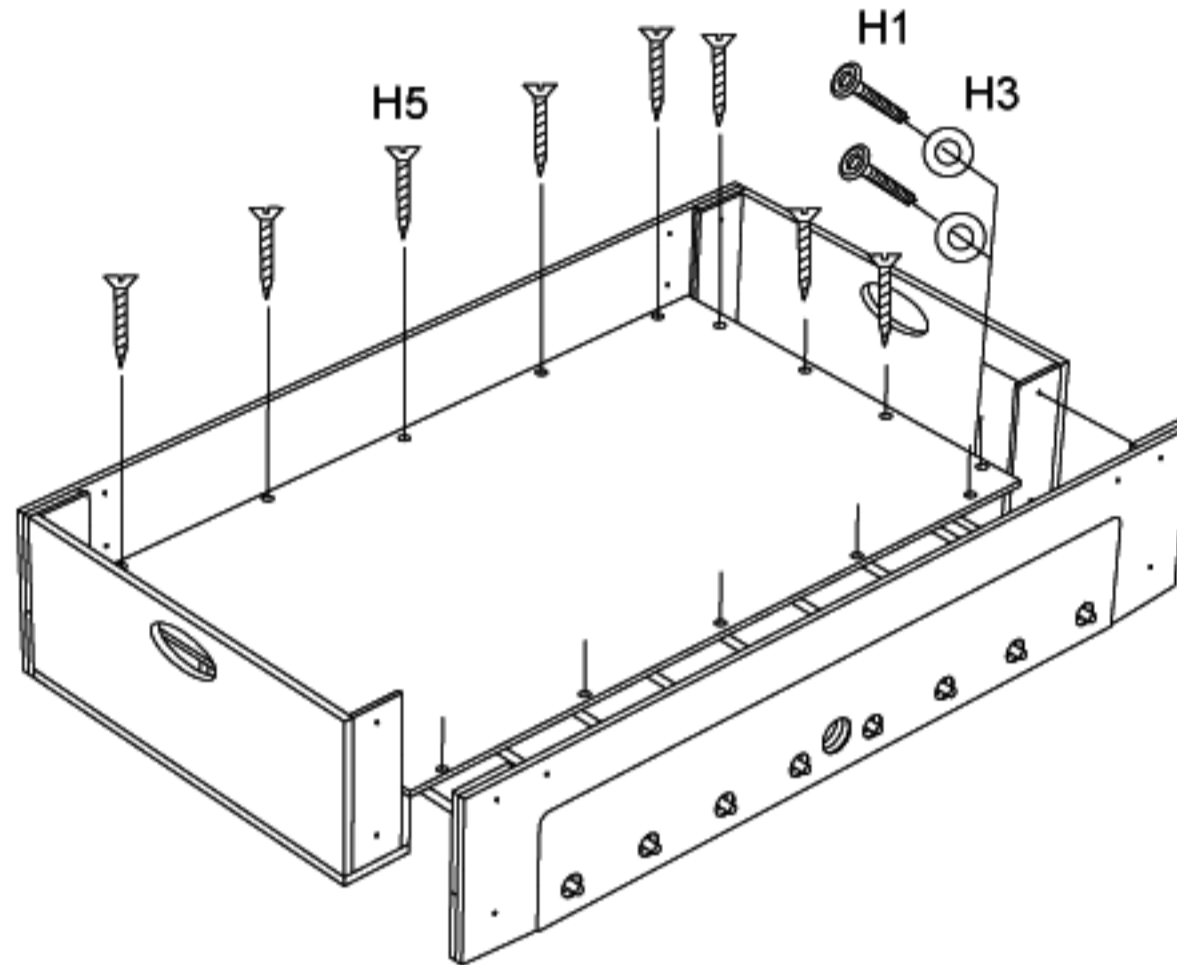


Figure 5

Step 6

Next, secure each goal catcher P11 with screws H7.

With bolt H1 and washer H3, attach left leg P10A and right leg P10B as shown. Repeat on opposite end.

Place Leg panel P9 between legs P10A and P10B and attach using screws H4.

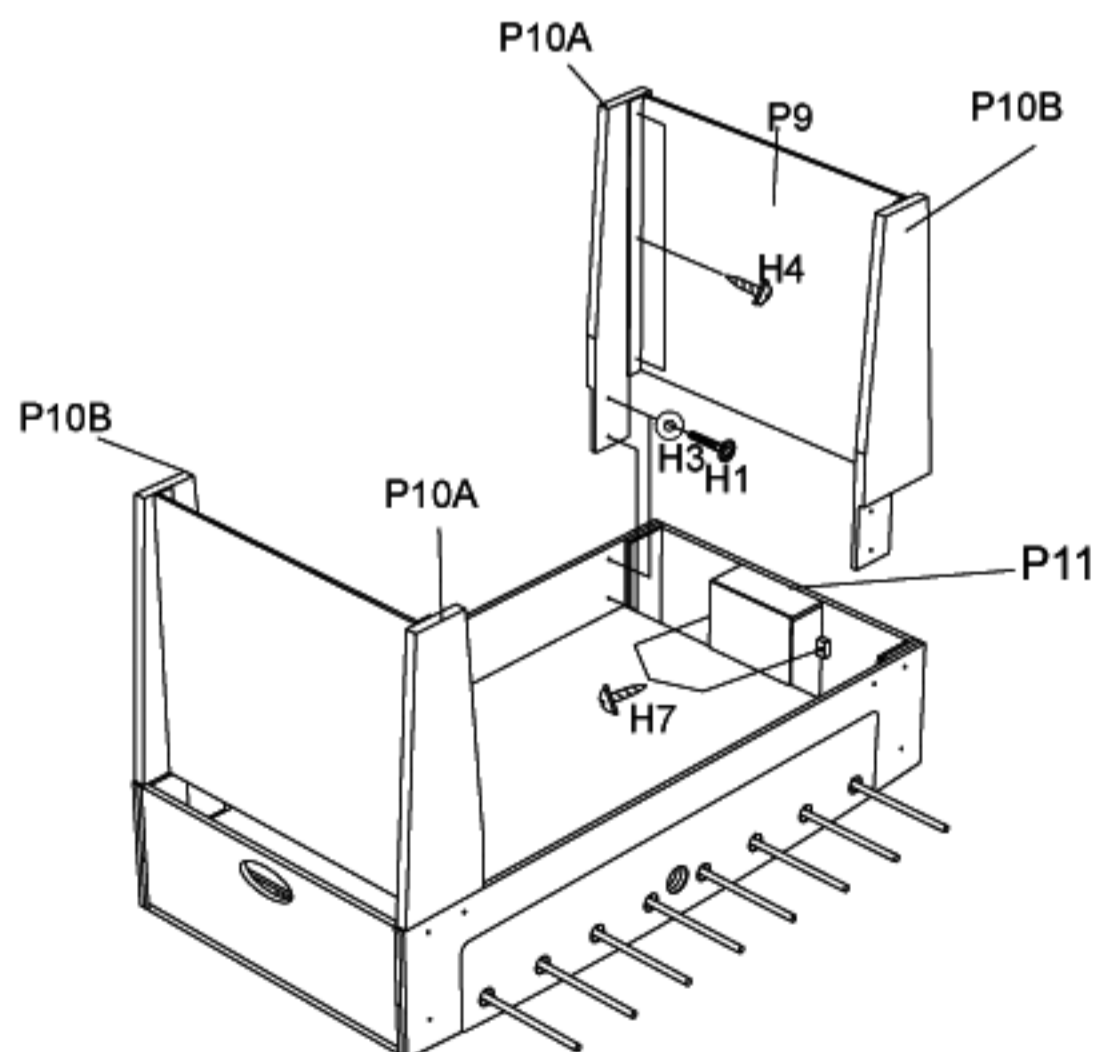


Figure 6



WARNING:

THIS STEP REQUIRES TWO OR MORE ADULTS.

VERY CAREFULLY PICK THE TABLE UP, TURN THE TABLE OVER, AND SET IT ON ITS LEGS. BE CAREFUL, THE TABLE IS VERY HEAVY AND THE RODS WILL SLIDE. DO NOT LIFT THE TABLE BY HOLDING ONTO THE RODS.

Step 7

Intert ball entry cups P5 into each side panel P7, fasten with screws H6. Attach the Scorers P1 to each end panel. Slide handles P3 onto rods per diagram in Figure 7. Rod ends with holes receive handles, A small amount of liquid soap will help the handles slide onto the rods. Install rod caps P4 as shown.

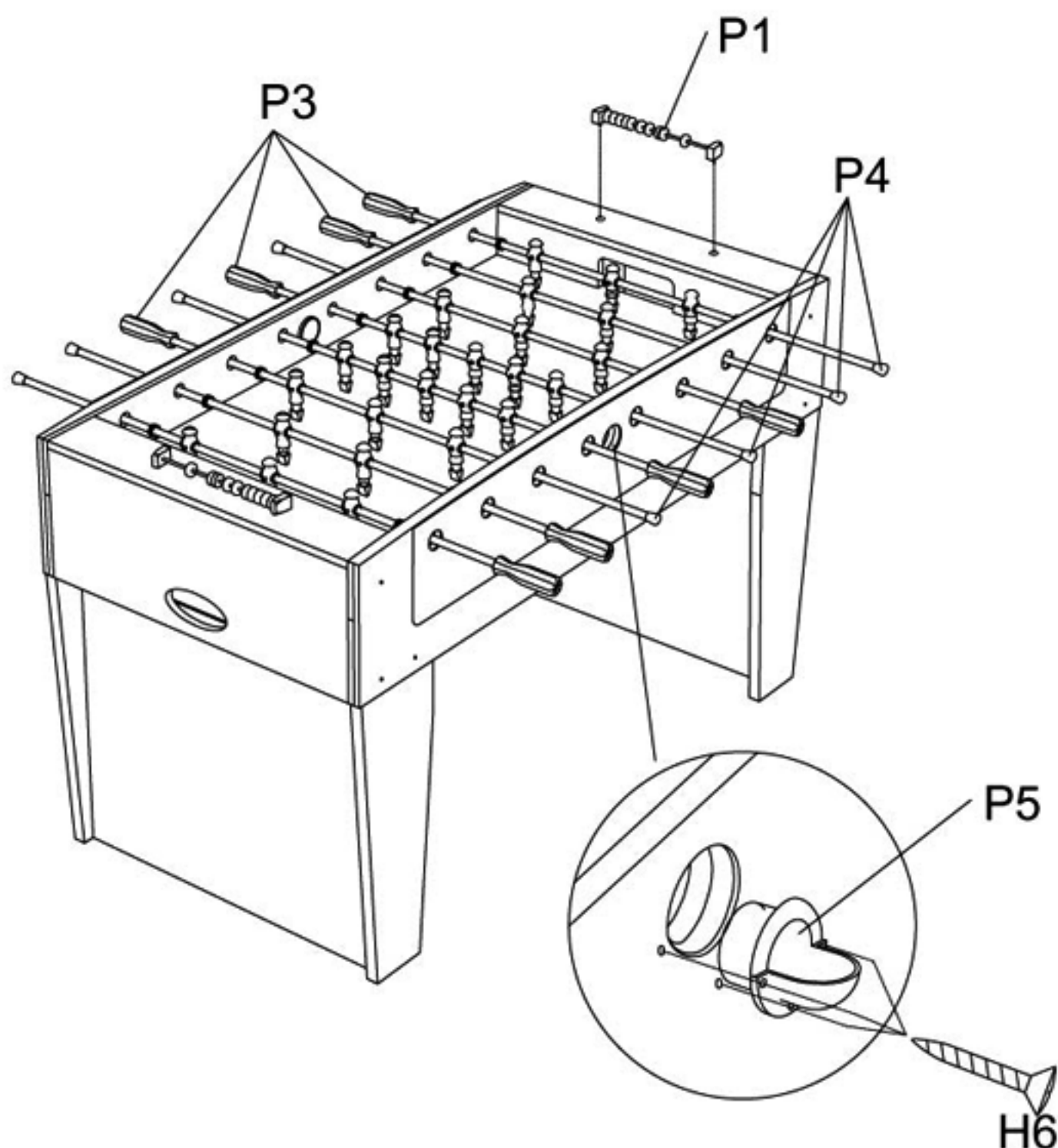


Figure 7

Congratulations! You have now assembled your soccer table. Please note the Care and Use instructions below to insure many years of trouble free use of your game table.

CARE AND USE OF YOUR TABLE

1. Apply spray furniture polish to a clean cloth and wipe down the rods to make them slide easier in the bushings.
2. Use spray furniture polish to clean all exterior surfaces of your game table.
3. This product is intended for **INDOOR** use only.
4. **DO NOT** sit, climb or lean on the table.
5. **DO NOT** drag the table when moving it. This will damage the legs

Table soccer is also called “foosball.” It can be played by two teams of four players each or by two individuals:

The Object of the Game

To be the first team (or player) to score a predetermined number of points or to score the most points in given amount of time.

Serving

The server rolls the ball through the serving hole to start the game, after a point is scored, or after a ball leaves the table. The server can spin the ball to influence the serve, but the ball must be struck by one of the serving team’s (or server’s) player figures. Once the ball is in play, it remains in play until it is hit off the table, a dead ball is declared, time out is called, or a point is scored.

Passing

If a ball is pinned on the 5-man rod, it cannot be passed to the 3-man rod of the same team without touching at least two player figures as it is being passed.

Scoring

When a ball enters the opposing team’s goal, a point is scored. If the ball enters the goal, but bounces back onto the playing surface or leaves the table, it still counts as a goal.

Spinning Rods

Spinning the rods is illegal.

Ball Off the Table

If the ball leaves the playing surface and strikes any object that is not part of the table, it is declared “off the table” and should be put back into play by a serve from the team (or player) that originally served that ball. If the ball rolls into the serving cup and then returns to the playing surface, it is still considered “in play.”

Dead Ball

If a ball has completely stopped its motion and cannot be reached by any player figure, it is declared a “dead ball.” If the ball is declared dead between the goal and the 2-man rod, it should be put back into play by placing it in nearest corner and releasing it. If the ball is declared dead anywhere else on the playing surface, it should be put back into play by a serve from the team that originally served the ball. If a ball is spinning in place, it is not considered a dead ball.

PRODUCT PARTS LIST

Model # G01883

Part #	Description	Qty.	Part#	Description	Qty.
H1	1/4" Bolt	16	A1	Soccer Ball	4
H2	5/8" Plastic Washer	32	C1	3 Player Rod Only	4
H3	1/4"Washer	16	C2	5 Player Rod Only	2
H4	5/8" Screw	12	C3	2 Player Rod Only	2
H5	1" Screw	18	C4	Ivory player	13
H6	5/8" Screw	6	C5	Red player	13
H7	1-3/8" Screw	4	C6	Owners Manual	1
H8	Player Bolt	26	C7	Hardware Kit	1
H9	Nut	26			
T1	Wrench	1			
P1	Slide Scorer	2			
P2	Rubber Bumper	16			
P3	Handle	8			
P4	Rod Cap	8			
P5	Ball Entry Cup	2			
P6	Playfield	1			
P7	Side Panel	2			
P8	End Panel	2			
P9	Leg Panel	2			
P10A	Left Leg	2			
P10B	Right Leg	2			
P11	Goal Catcher	2			

90 DAY LIMITED WARRANTY

This consumer warranty extends to the original consumer purchase of any ESCALADE SPORTS Product (hereinafter referred as the "Product").

WARRANTY DURATION: This Product is warranted to the original consumer purchase of a period of 90 days from the original purchase.

WARRANTY COVERAGE: ESCALADE SPORTS warrants to the original Consumer Purchaser that any Product of its manufacture is free from defects in material and workmanship when used for the intended purpose under normal use and conditions. THIS WARRANTY IS VOID IF THE PRODUCT HAS BEEN DAMAGED BY ACCIDENT, UNREASONABLE USE, NEGLIGENCE, IMPROPER SERVICE, FAILURE TO FOLLOW INSTRUCTIONS PROVIDED WITH THE PRODUCT OR OTHER CAUSES NOT ARISING OUT OF DEFECTS IN MATERIAL AND WORKMANSHIP.

WARRANTY PERFORMANCE: During the above 90 day warranty period, ESCALADE SPORTS shall repair or replace with a comparable model, and Product, or component thereof, which may prove defective under normal use and proper care, and which our examination shall disclose to our satisfaction to be thus defective, please contact our Warranty Dept.

1-866-556-2757 / Warranty Dept.

Or Write us at:

Escalade® Sports, Inc. - P.O. Box 889, Evansville, IN 47706

Attn: Warranty Dept.

Or E-mail us at:

foosball@escaladesports.com

Other than shipping requirements no charge will be made for such repair or replacement of in-warranty Products. ESCALADE SPORTS strongly recommends that the Product is insured for value prior to mailing.

WARRANTY DISCLAIMERS: ANY IMPLIED WARRANTIES ARISING OUT OF THIS SALE, INCLUDING BUT NOT LIMITED TO THE IMPLIED WARRANTIES OF MERCHANTABILITY AND FITNESS FOR A PARTICULAR PURPOSE, ARE LIMITED IN DURATION TO THE ABOVE 90 DAY PERIOD. ESCALADE SPORTS SHALL NOT BE LIABLE FOR LOSS OF USE OF THE PRODUCT OR OTHER CONSEQUENTIAL OR INCIDENTAL COSTS, EXPENSES OR DAMAGES INCURRED BY THE CONSUMER OF ANY OTHER USE.

Some states do not allow the exclusion or limitation of implied warranties or consequential or incidental damages, so the above limitations or exclusions may not apply to you.

LEGAL REMEDIES: This warranty gives you specific legal rights and you may also have other rights which may vary from state to state.

HARVARD

GOALRILLA™

STIGA®

RHINO PLAY

ACCUDART.
WHERE TECHNOLOGY TAKES FLIGHT™

Ask for our full line of exciting brands and sporting goods products at a sporting goods retailer near you.

Table Tennis Tables

Pool Tables

Basketball

Darts

Hockey Tables

Soccer Tables

Multi-Game Tables

ESCALADE®
S P O R T S

Customer Service Department

866.556.2759

Toll Free Fax 866.873.3531

foosball@escaladesports.com

01883-MN1