

# CARROM

218 E. Dowland Street - Ludington, MI 49431-0649

MODEL 752.69

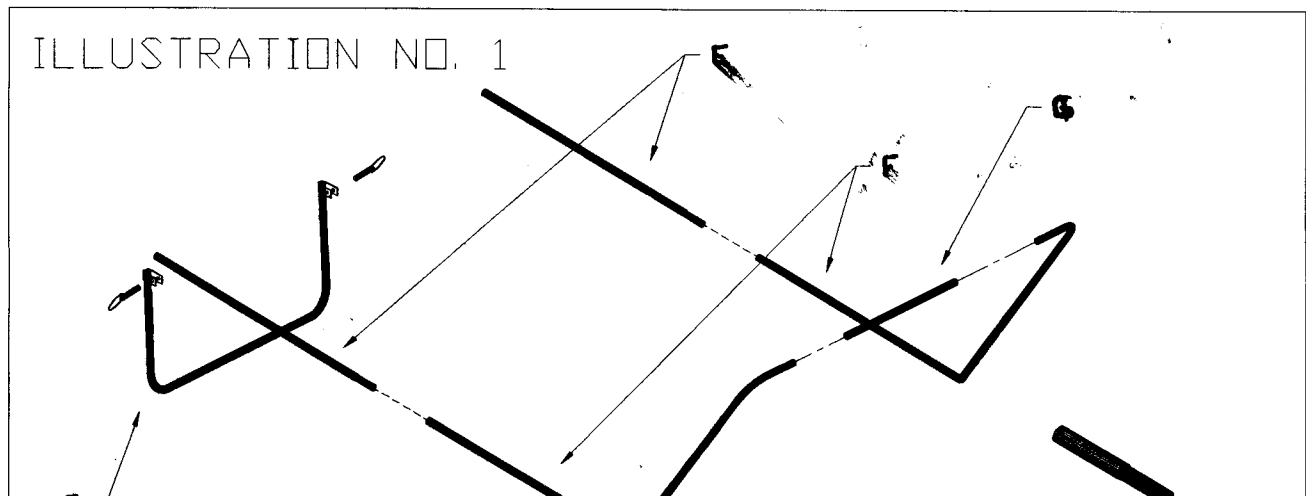
**Tools required for Assembly: Phillips Screwdriver and a 7/16 wrench**

**Contents of Carton:**

- (2) Top Horizontal Trough Support **A** (swedged on short end with 1 through hole)
- (2) Top Vertical Support **B** (3 through holes)
- (2) Bottom Vertical Support **C** (swedged on both ends with 1 through hole on each end)
- (2) Angled Vertical Support **D** (swedged on one end with 1 through hole on each end)
- (2) Horizontal Support **E** (swedged on one end with 2 through holes on one end and 1 through hole on the other end)
- (2) Hinged Support **F**
- (1) Horizontal Net Support **G** (No holes, no swedges)
- (1) Angular Bottom Support **H** (1 hole on each end)
- (1) Bottom Vertical Support **I** (Bracket on each end)
- (1) Backboard with installed electronics
- (1) Ball Return Trough
- (4) 1/4-20 x 1 3/4 Carriage bolt (For Backboard Assembly)
- (4) 1/4- 20 x 2 1/4 Hex head Bolt (For Double Tubing Frame Assembly)
- (2) 1/4- 20 x 1 1/2 Hex Head Bolt (For Tubing Connection)
- (2) 1/4-20 x 1 1/4 Hex Head Bolt (For Tubing Connection)
- (8) 1/4- 20 x 7/8 Pan Head Bolt (For Rim Assembly)
- (16) 1/4- 20 Nyloc Hexnuts
- (4) 1/4- 20 Hex Nuts
- (4) 1/4" Clevis Pins (#10.752.10)
- (8) Plastic Washer
- (2) M35 x 12mm Black Oxide Phillips Drive Screw (To Assembly Safety Strap)
- (1) Black Nylon Safety Strap
- (6) Basketballs (#05.752.10)
- (1) Basketball Pump with needle (#12.752.03)
- (2) Rims with Net and Net Ring attached

**Step No. 1 – Refer to Illustration No. 1**

- Carefully open carton and remove all contents. Locate all items and compare to the above part listing.
- Locate (2) Hinged Supports **F**. Unfold hinge and lock into position.
- Install (1) Horizontal Net Support **G** between the two Hinged Supports **F**.
- Connect (1) Horizontal Support **E** to the Hinge Support **F** by inserting the swedge into the Hinge Support. Secure with (1) 1/4- 20 x 1 1/4" Hexhead Bolt and (1) 1/4- 20 Nyloc Hexnut. Repeat for other side.
- Secure Bottom Vertical Support **I** to the opposite end of each Horizontal Support **E** by inserting (1) 1/4" Clevis Pin on each end from the outside of the tube bracket into the last hole of the Horizontal Support **E**.

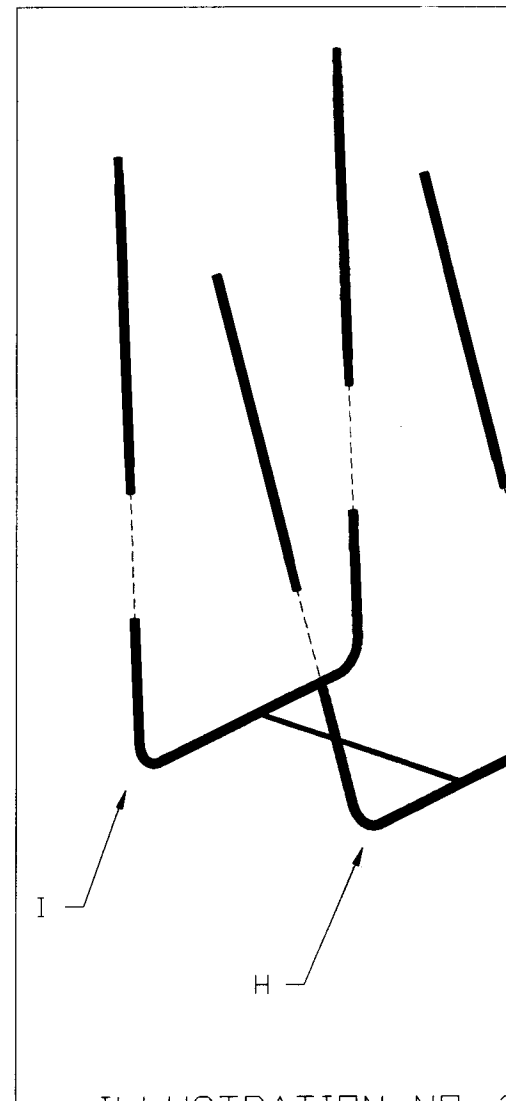
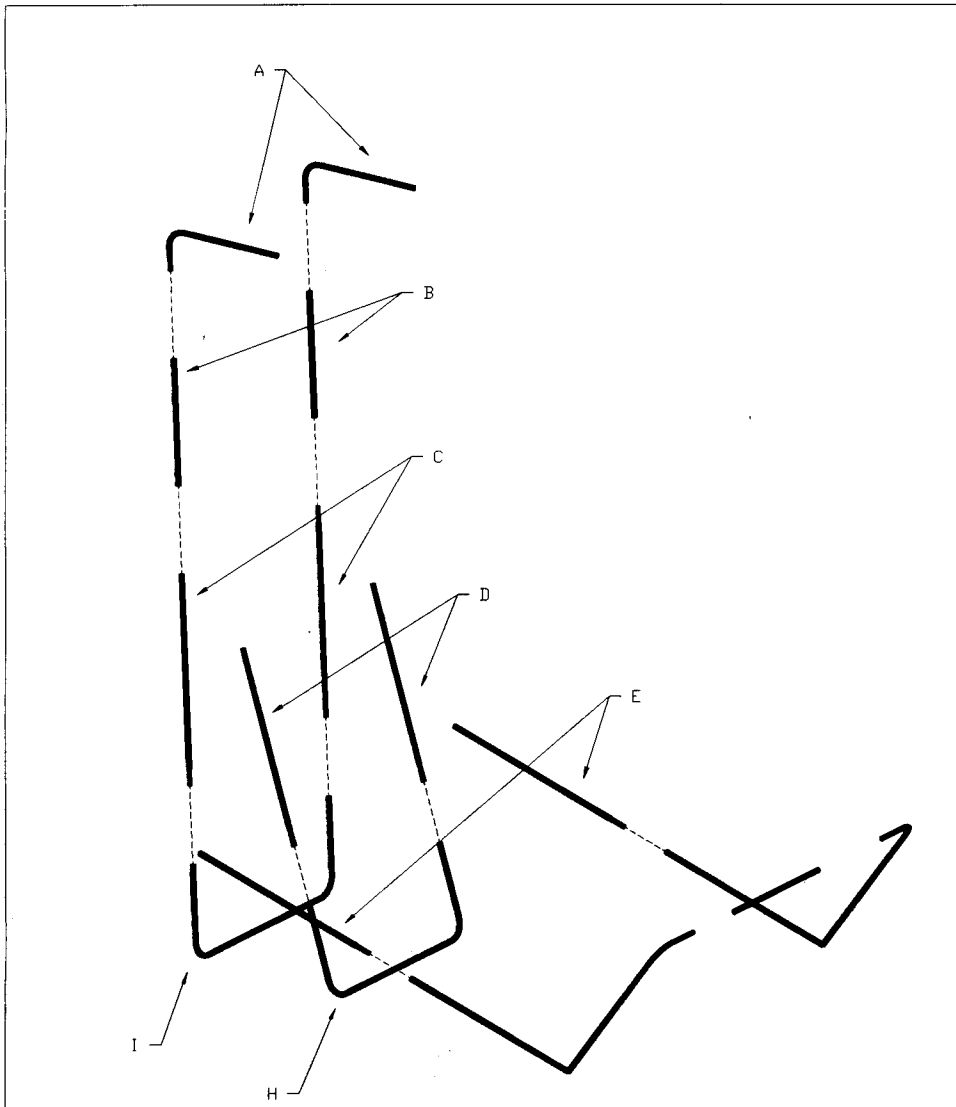


Step No. 2 – Refer to Illustration No. 2

- Assemble the (2) Angled Vertical Support **D** to the Angular Bottom Support **H** and fasten to the remaining holes in the Horizontal Support **E** using (1) each 1/4- 20 x 2 1/4" Hexhead bolt and (1) each 1/4- 20 Nyloc Hexnut. A Plastic Washer must be placed between the two tubes (**E & H**) prior to bolting the tubes together.
- Assemble the (2) Bottom Vertical Support **C** into the Bottom Vertical Support **I**, making certain the inserted end has the through hole in the swedge of the tube. Assemble using (1) each 1/4- 20 x 1 1/2" Hexhead Bolt and (1) 1/4- 20 Nyloc Hexnut.
- Fasten the Angled Vertical Support **D** to the Bottom Vertical Support **C** using (1) each 1/4- 20 x 2 1/4" Hexhead Bolt and (1) 1/4- 20 Nyloc Hexnut. A Plastic Washer must be placed between the two tubes (**C & D**) prior to bolting the tubes together.
- Insert (2) Top Vertical Support **B** on top of the Bottom Vertical Support **C**. The 4 through holes should be at the top.
- Assemble (2) Top Horizontal Trough Support **A** into the Top Vertical Support **B** and insert (2) 1/4" Clevis Pins from the outside, into the top hole.

Step No. 3 – Refer to Illustration No. 3

- The Game should now be completely self-supporting. Attach the Black Nylon Safety Strap into the preboard holes on parts **I & H** using (2) M35 x 12mm Phillips screws.



Step No. 4 – Refer to Illustration No. 4

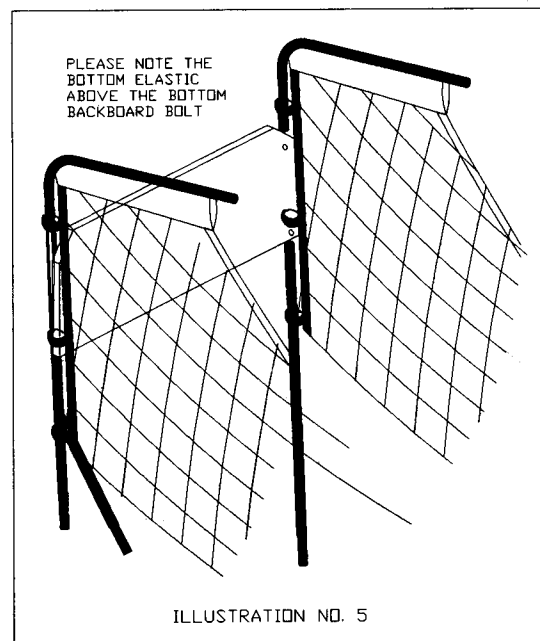
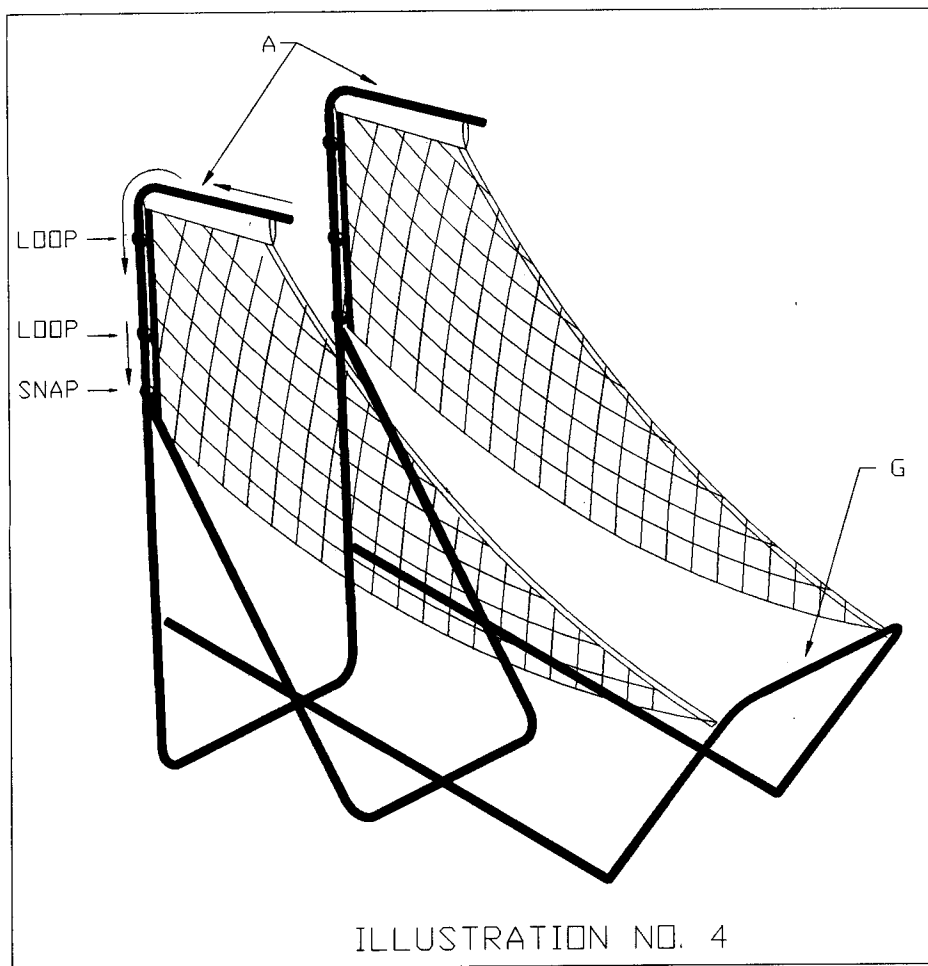
- Attach the Ball Return Trough by sliding the two elastic loops and sleeves over the Top Horizontal Trough Support **A**.
- Remove the Horizontal Net Support **G** and insert it into the remaining sleeve on the Ball Return Trough Support **A**.
- Remove the Horizontal Net Support **G** and insert it into the remaining sleeve on the Ball Return Trough.
- Sliding the two elastic loops onto the Horizontal Net Support **G** and re-assemble it to the Hinged Support **F**.
- You may have to tug the Ball Return Trough into place after re-assembly.

Step No. 5 – Refer to Illustration No. 5

- Attach the Backboard to the front of the frame using (4) 1/4- 20 x 1 3/4" Carriage Bolts, (4) 1/4- 20 Hexnuts and (4) Plastic washers by inserting a bolt into each of the four holes in the Backboard. Install the Backboard, making certain that the Top elastic loop (the one near the canvas) is placed above the bottom Backboard Bolts.
- Fasten the buckles around the Top Vertical Support **B**.
- Assemble the (2) Basketball Rims to the Backboard using (8) 1/4- 20 x 7/8" Panhead Bolts and Nyloc Hexnuts.

Step No. 6

- Route the wiring from the Electronic Scoring Unit to each of the Basketball Hoops. Assemble one of the two leads to one of the two screws on the white ring. Assemble the other lead to the remaining screw. Repeat for other side.
- Inflate the (6) basketballs to their proper size. A ball that is not inflated properly will not score properly.
- Insert (4) AA Batteries into the battery holder and enjoy your game.



## To Play the Game

Both Players start at the same time. After the first basket is made, the Time Clock will start to count down from 60 seconds. Each basket counts for two points for the first thirty seconds, and three points for the final thirty seconds. Both Player's scores will display their total points made. At the end of the match, both scores will be displayed for approximately five seconds. The Winner's score will flash and a tune will sound when the match is over. The Unit will then shut off. The next basket will start the next game.

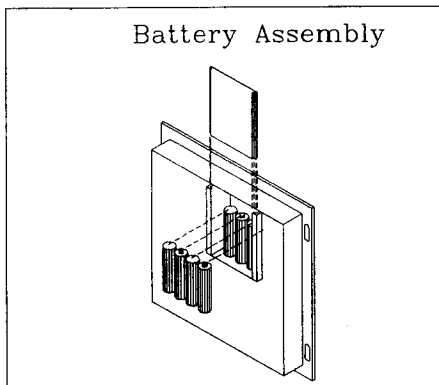
## FOR SAFETY'S SAKE, READ AND OBSERVE THESE PRECAUTIONS!

### All Participants and Bystanders should be aware of the following Precautions:

- DO NOT CLIMB, LEAN, OR HANG ON THE GAME OR BASKET RIMS
- DO NOT LAY IN THE BALL RETURN TROUGH
- DO NOT "DUNK" THE BALL DURING PLAY or damage will occur to the game
- DO NOT OVER INFLATE THE BASKETBALLS or excessive bouncing of balls will occur, or the Balls may become lodged in the nets.
- DO NOT TAKE SHOTS FROM MORE THAN 10 FEET FROM RIM
- KEEP GAME IN DRY AREA, DO NOT PLAY OUTDOORS. DO NOT GET GAME WET or allow liquids to get into the electronic control box, or ELECTRICAL SHOCK COULD OCCUR! DO NOT SET DRINKS ON THE GAME
- DO NOT PLACE GAME NEAR CEILING FIXTURES such as lights and fans
- ALWAYS FOLD GAME UP IF IT IS TO BE MOVED.

### Inserting the Batteries:

Remove the Battery Holder Cover by sliding it upward out of the Scoring Unit. Insert (4) "AA" batteries (not included) into the holder. Slide the Battery Holder Cover back into the slot. You are now ready to play the game.



### Service Parts Free Throw Duel Model 752.69

Item # and Description	Part #
1. Net	12.752.02
2. Rim w/ Net and Ring	10.752.15
3. Ring Pin	10.752.10
4. Net Ring	752.69-2
5. Scoring Unit	752.69-3
6. Scoring Spring	752.69-4
7. Ball Return Trough	752.69-5
8. Basketballs	05.752.10
9. Air Pump w/ Needle	12.752.03

FOR TOLL-FREE TECHNICAL ASSISTANCE ABOUT ASSEMBLY, OPERATION OR REPLACEMENT PARTS PLEASE CALL CARROM COMPANY AT 1-800-223-6047.

CARROM COMPANY  
218 E. DOWLAND STREET  
LUDINGTON, MI 49431