



TURBO HOCKEY

ASSEMBLY, INSTRUCTIONS AND RULES

2-1-57-013 HG



For Replacement Parts (24hrs / 7days)

order direct at www.sportcraft.com,

or call our

Express Parts Center (866) 206-4321

For Technical Support (9:00am to 5:00pm EST) call

Sportcraft Consumer Service at (800) 526-0244

IMPORTANT SAFETY INSTRUCTIONS


1. **Read all instructions - All the safety and operating instructions should be read carefully before this turbo hockey game is played.**
2. **Caution** - This is not a toy and is intended for use by or under the supervision of adults. Adults should review safety guidelines with children to avoid possible risk of electric shock or other injuries.
3. **Power sources** - This hockey game should be operated only from 100-125V A.C., 50/60 cycle current as indicated on the identification label. If you are not sure of the type of power supply to your home, consult your appliance dealer or local power company.
4. **Power cord protection** - Power cord should be routed so that it is not likely to be walked on or pinched by items placed upon or against it. Pay particular attention to cords at plugs, convenience receptacles, and the point of exit from the game.
5. **Overloading** - Do not overload wall outlets and extension cords as this can result in a risk of fire or electric shock.
6. **Object and liquid entry** - Never push objects of any kind into this game through openings as they may touch dangerous voltage points or short-out parts which could result in a fire or electric shock. Never spill liquid of any kind on the game.
7. **Ventilation** - Openings in the game are provided for the exhaust air to create a cushion effect. The openings on the air blower are for the intake air. Keep clear of the air blower when it is on. Do not put hand or other objects near the intake openings. To ensure reliable operation of the game and protect it from overheating these openings must not be blocked or covered.
8. **Damage requiring service** - Unplug the game from the wall outlet. Do not attempt to service the blower yourself as opening or removing covers may expose you to dangerous voltage or other hazards. Refer servicing to qualified service personnel under the following conditions.
 - A. When the power supply cord or plug is damaged.
 - B. If liquid has spilled, or objects have fallen into the blower.
 - C. When the air blower exhibits a distinct change in performance e.g. abnormal noise, this indicates a need for service.
9. **Grounding or Polarization** - This game is equipped with a polarized alternating current line plug (a plug having one blade wider than the other). This plug will fit into the power outlet only one way. This is a safety feature. If you are unable to insert the plug fully into the outlet, try reversing the plug. If the plug should still fail to fit, contact your electrician to replace your obsolete outlet. Do not defeat the safety purpose of the polarized plug.
10. **CAUTION - ELECTRICALLY OPERATED PRODUCT** - Not recommended for children under 8 years of age. As with all electrical products, precautions should be observed during handling and use to reduce the risk of electric shock.
11. We recommend that the game be periodically examined for conditions that may result in the risk of fire, electrical shock, or injury to persons. In the event such conditions exist, the game should not be used until properly repaired.

SAVE THESE INSTRUCTIONS

**WARNING: To Reduce The Risk Of Fire Or Electric Shock,
Do Not Use This Fan With Any Solid-State Speed Control Device**

MODEL # 2-1-57-013 HG

Congratulations on owning a new KT Sports Turbo Hockey game! We at KT Sports hope you will have many hours of enjoyable use with this product.

 **WARNING:** Choking Hazard -- This table contains small balls and/or small parts. Not for children under 3 years.

IMPORTANT!

Please Keep Your Instructions in the storage pouch provided underneath your table! Your Model number (also located on the underside of the table) is necessary should you need to contact us. Before attempting assembly, please read through this instruction book to familiarize yourself with all the parts and assembly steps. We recommend that two adults assemble this game. Please refer to the Parts Identifier below and be sure that all parts have been included.

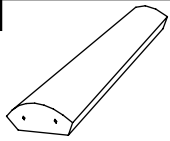
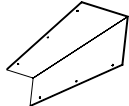
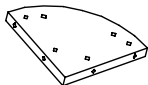
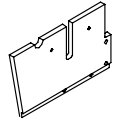
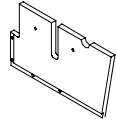







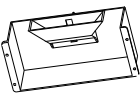
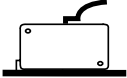
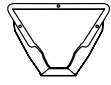
For Replacement Parts (24hrs / 7days)
order direct at www.sportcraft.com
or call our
Express Parts Center (866) 206-4321

For Technical Support (9:00am to 5:00pm EST) call
Sportcraft Consumer Service at (800) 526-0244

TOOLS REQUIRED FOR ASSEMBLY:

- Phillips and Slotted Head Screwdrivers (or Power Driver) - not included
- Allen Key - included
- 12V DC Adaptor - included

PARTS IDENTIFIER

 LEG 9-3-34-012HG01 (4)	 LEG COVER 9-3-34-012HG02 (4)	 LEG SUPPORT BASE 9-3-34-074HG09 (4)	 LEG SUPPORT - A 9-3-34-058HG01 (4)	 LEG SUPPORT - B 9-3-34-058HG02 (4)
 8 X 38MM ALLEN KEY BOLT 9-3-34-089HG05 (24)	 22MM FLAT WASHER 9-3-27-093SC28 (24)	 6 X 45MM ALLEN KEY BOLT 9-3-36-020HG09 (16)	 18MM FLAT WASHER 9-3-27-093SC11 (16)	 22 GRAM POWER PUCK ROUND (RED) 9-3-34-001HG05 (6)
 DELUXE POWER PUSHER (BLACK) 9-3-34-001HG10 (2)	 DELUXE POWER PUSHER (RED) 9-3-34-056HG51 (2)	 PUCK RETURN BOX WITH TRIGGER 9-3-34-040AHG06 (2)	 FORWARD GOAL TRIGGER 9-3-34-015SC10 (2)	 PUCK RETURN TRAY WITH SCREW 9-3-34-406HG07 (2)

16  5MM ALLEN KEY 9-3-34-091HG07 (1)	17 (PRE-INSTALLED)  END GOAL COVER (BLACK) 9-3-57-013HG01 (2)	18  6" METAL BELL LEG LEVELER 9-3-34-086HG08 (4)	19  DIE CAST SLIDE SCORER ASSEMBLY 9-3-34-074HG04 (2)	20  3.5 X 25MM WOOD SCREW 9-3-27-080SC21 (4)
21  3.5 X 14MM WASHER HEAD SCREW 9-3-34-089HG13 (60)	22 (PRE-INSTALLED)  BLOWER AND WIRE CONNECTOR 9-3-34-058HG04 (1)	23 (PRE-INSTALLED)  4 X 65MM WOOD SCREW 9-3-34-089HG16 (4)	24 (PRE-INSTALLED)  3 X 16MM FLAT HEAD SCREW 9-3-34-058HG03 (2)	25 (PRE-INSTALLED)  NAME PLATE 9-3-57-003HG08 (2)
26 (PRE-INSTALLED)  1.2 X 10MM NAIL 9-3-34-089HG14 (4)	27 (PRE-INSTALLED)  LOWER END APRON 9-3-34-058HG05 (2)	28 (PRE-INSTALLED)  LOWER SIDE APRON 9-3-34-058HG06 (2)	29 (PRE-INSTALLED)  METAL PLATE 9-3-34-082HG16 (16)	30  6 X 12MM ALLEN KEY BOLT 9-3-34-082HG17 (32) +16(PRE-INSTALLED)
31  APRON CORNER (BLACK) 9-3-34-012HG14 (2)	32  APRON CORNER WITH WINDOW (BLACK) 9-3-34-012HG15 (2)	33  STORAGE DOOR (BLACK) 9-3-34-012HG16 (2)	34  TOP STORAGE DRAWER (BLACK) 9-3-34-012HG17 (2)	35  BOTTOM STORAGE DRAWER (BLACK) 9-3-34-012HG18 (2)
36 (PRE-INSTALLED)  PUCK CATCHER WIRE 9-3-34-086HG19 (2)	37 (PRE-INSTALLED)  CONTROL WIRE 9-3-34-406HG09 (1)	38 (PRE-INSTALLED)  CONNECTING BOX 9-3-34-406HG10 (2)	39 (PRE-INSTALLED)  SCORER - HOME WITH 18" WIRE & SCREW 9-3-34-406HG11 (1)	40 (PRE-INSTALLED)  SCORER - HOME WITH 43" WIRE & SCREW 9-3-34-406HG12 (1)
41 (PRE-INSTALLED)  SCORER - VISITOR WITH 18" WIRE & SCREW 9-3-34-406HG13 (1)	42 (PRE-INSTALLED)  SCORER - VISITOR WITH 43" WIRE & SCREW 9-3-34-406HG14 (1)	43 (PRE-INSTALLED)  SCORER - CLOCK WITH WIRE & SCREW 9-3-34-406HG15 (2)	44 (PRE-INSTALLED)  CONTRL BOX WITH SCREW 9-3-34-406HG16 (1)	45 (PRE-INSTALLED)  CONNECTING WIRE 9-3-34-406HG17 (2)
46 (PRE-INSTALLED)  SCORER BASE BOX WITH SCREW 9-3-34-406HG18 (1)	47  12V DC ADAPTOR 9-3-34-004SC03 (1)	48 (PRE-INSTALLED)  ON/OFF SWITCH 9-3-34-406HG19 (1)	49 (PRE-INSTALLED)  PUCK RETURN COVER 9-3-34-040AHG11 (2)	50  4 X 40MM FLAT HEAD SCREW 9-3-34-012HG21 (8)
51 (PRE-INSTALLED)  TOP CORNER CAP (BLACK) 9-3-57-013HG02 (4)				

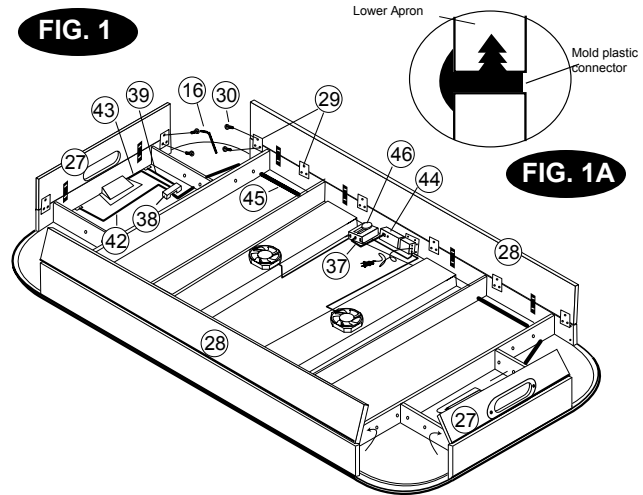
ASSEMBLY INSTRUCTIONS:

We recommend that two adults work together to assemble this game.

- 1) Open the carton of your new Turbo Hockey game near where you will play. Select a clear level floor. This game requires at least two adults to assemble the table.
- 2) Remove all the contents from inside the carton and verify that you have all listed parts as shown on the Parts Identifier. We suggest that you use the bottom carton as a clean flat working area to protect the game. Carefully cut or tear the four carton corners so that the bottom is now your work area.

FIG. 1

- 3) Raise the Lower End Apron (#27). Turn the partially pre-installed Metal Plates (#29) upright. Attach the top portion of the Metal Plate to the Lower End Apron with two (#30) Bolts using the 5mm Allen Key (#16). Tighten securely at this time. Do the same for the other Lower End Apron. **Note: the lower end apron must be placed inside of the molded plastic connector.** See Figures 1 and 1A.



- 4) Raise the Lower Side Apron (#28). Turn the partially installed Metal Plates (#29) upright. Attach the top portion of the Metal Plate to the Lower Side Apron with two (#30) Bolts using the 5mm Allen Key (#16) provided. Pilot holes show the proper position. Do the same for the other Lower Side Apron. Now go back and tighten the bolts securely.

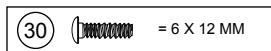


FIG. 2

- 5) Attach the two Apron Corners with Window (#32) to the two End and Side Aprons labeled "PLEASE ATTACH APRON CORNER (#32) AT THIS SIDE" using eight (#21) Screws on the inside of each apron corner (inside of the silver plastic piece). Next, attach the two Apron Corners (#31) to the other End and Side Aprons. See Fig.2.
- 6) Place one Storage Door (#33) inside the Top Storage Drawer (#34) and attach one Bottom Storage Drawer (#35) to the Top Storage Drawer (#34) using four (#21) Screws. See Fig. 2B. Then attach the Drawer assembly (#33, 34 and 35) to the underside of playfield and the Apron Corners with window (#32) using six (#21) Screws. See Fig.2 and 2A. Do the same for the other Drawer and Door.

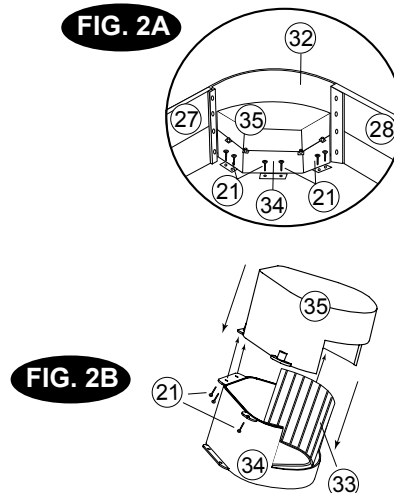
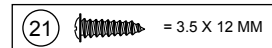
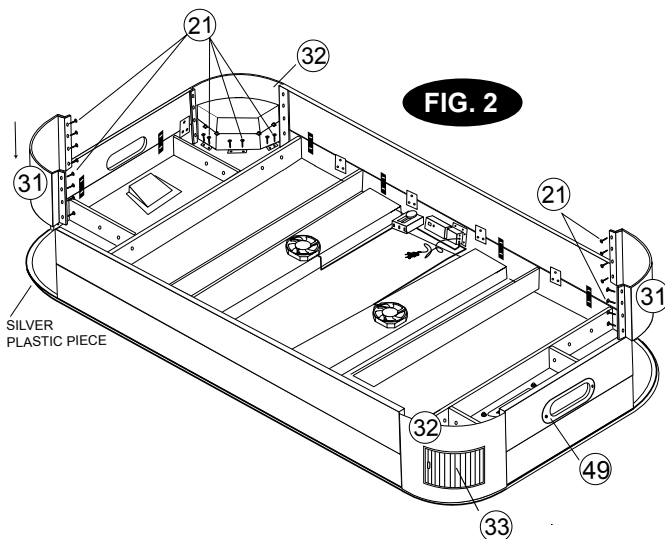
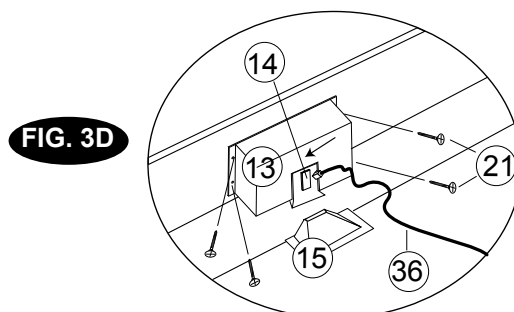
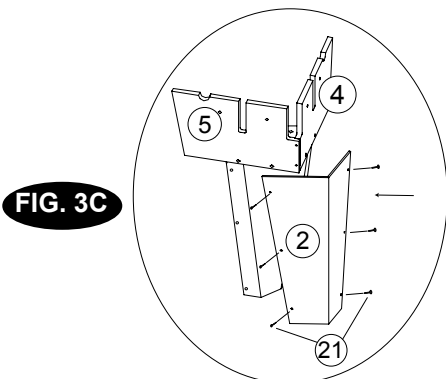
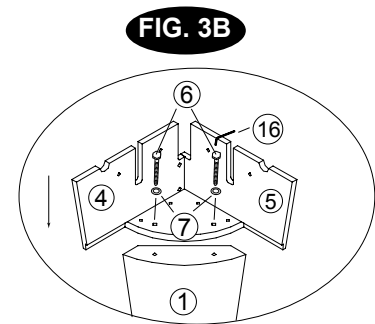
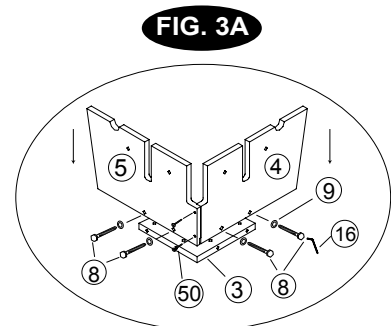
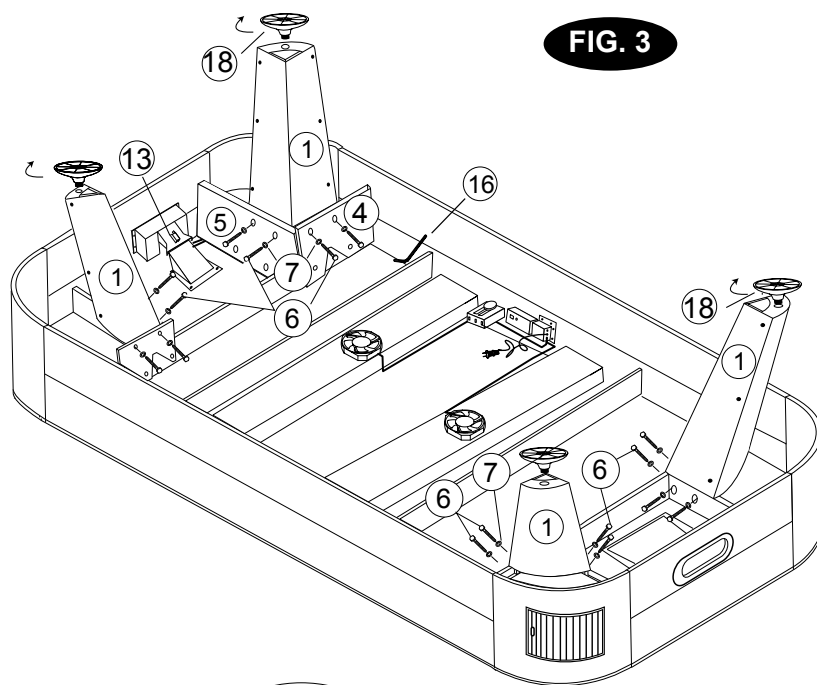
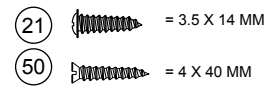
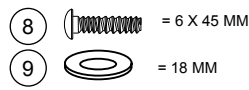
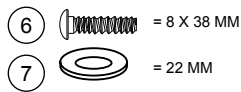


FIG. 3

- 7) Attach the Leg Support -B (#5) to the Leg Support -A (#4) using two (#50) Screws. Attach the supports (#4, #5) to the Leg Support Base (#3) using four (#8) Bolts and four (#9) Washers per Leg Support Base using the 5mm Allen Key (#16). See Fig. 3A. Repeat for each Leg. Do not tighten securely at this time.
- 8) Attach each leg support base assembly (#3, #4, #5) to each Leg (#1) using two (#6) Bolts and two (#7) Washers per Leg using the 5mm Allen Key (#16). **NOTE:** Align the rounded corners of the Leg and the sides of the leg support base assembly. See Fig. 3B. Now go back and tighten the bolts securely. Next, attach the Leg Covers (#2) to each Leg (#1) using six (#21) Screws per leg. See Fig. 3C.
- 9) Attach one of the assembled legs to the table using four (#6) Bolts and four (#7) Washers per leg. See Fig.3. Tighten securely with the 5mm Allen Key (#16). Do the same for the other three legs.
- 10) Screw one Leg Leveler (#18) into each leg. See Fig. 3. **NOTE:** Leg Levelers are optional and if the game is to be used on a smooth floor, we recommend not installing them.
- 11) Attach one Puck Return Box w/trigger (#13) to Puck Return Tray (#15) using four (#21) Screws . See Fig.3 and 3D. Pilot holes show the proper screw placement. Attach the pre-mounted Puck Catcher Wires (#36) to the Puck Returns. See Fig. 3D. Do the same to attach the other Puck Return Box.



12) Lift the table assembly from the floor with two strong adults, turn it over, and set table on its legs in the location where you will play. Go back and make sure that all connections are tight.

- CAUTION:** Two strong adults are recommended to turn the table over as shown.
1. Lift the table off the ground.
 2. Turn the table over.
 3. Place it on all four feet at the same time on the ground.

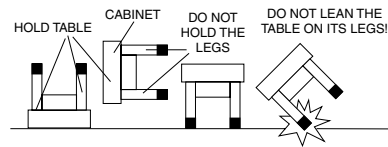


FIG. 4

13) Attach the two Slide Scorer Assemblies (#19) on top of the side rails using two (#20) Screws per scorer as shown Fig. 4. Pilot holes show the proper screw placement.

14). Install the Adjustable Goals (#17) by placing them into the pre-installed Adjustable Goal Anchors (#52). See Fig.4

15) Plug the 12 DC Adaptor (#47) power cord into to the Control Box (#44). See Fig. 4A.

16) Plug the power cord into the power source, push the on/off switch (#48). You are now ready to play.

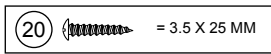


FIG. 4A

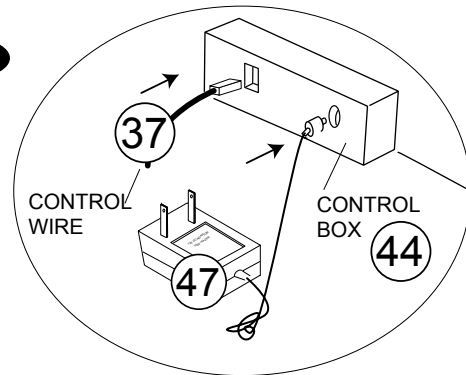
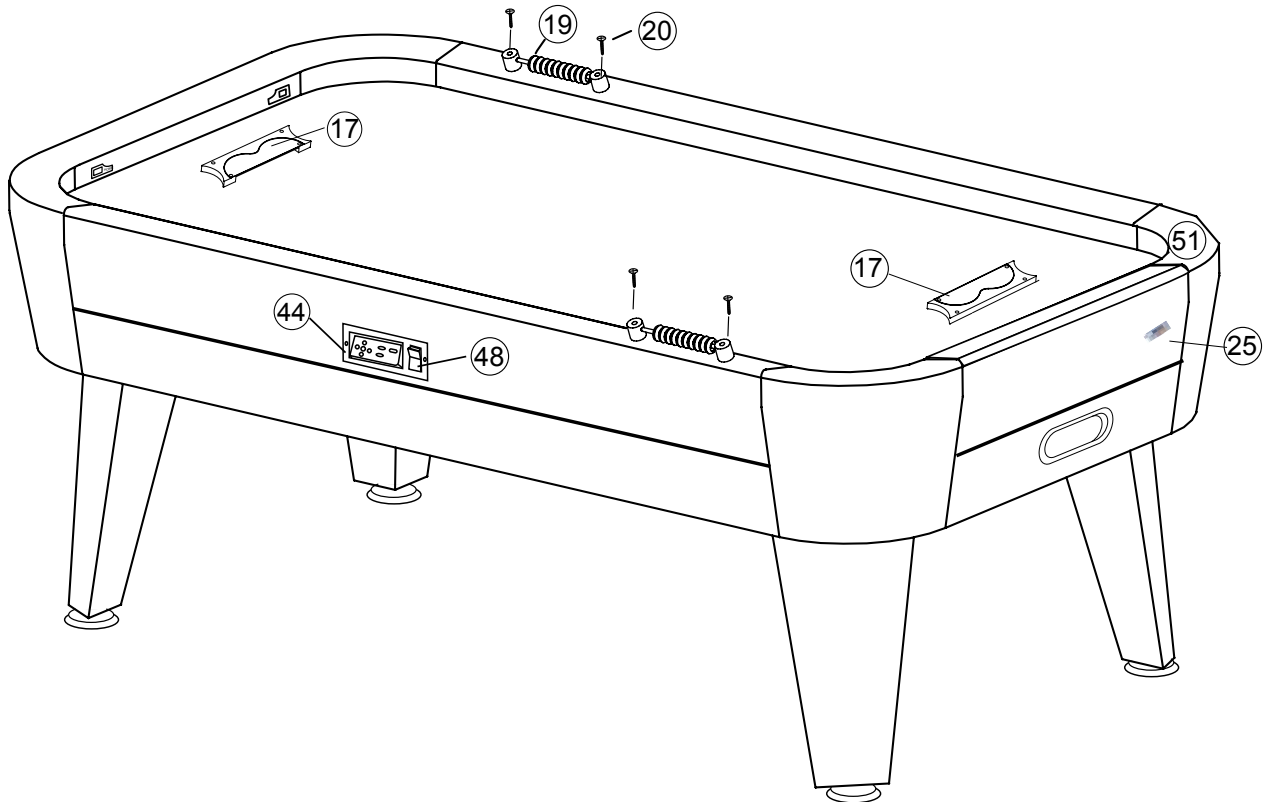


FIG. 4



English

English

ELECTRONIC SCORER OPERATION:

- 1) Push the "scorer ON/OFF" the switch located on the side of the scoreboard to choose automatic scoring with sound and light, or push the "Sound On/Off" switch to select automatic scoring without sound.
- 2) Each period is pre-set to 10 minutes and can be adjusted up or down by pressing the "+" or "-" buttons.
- 3) Press "Start" button to begin the game.
- 4) For a "time out" or dropped pucks, simply press the "Pause" button. Press the button again to restart the game.
- 5) Each goal scored will be registered on the scoreboard and generate a crowd cheer. All scores can be cleared by pressing the "Home Reset" or "Visitor Reset" buttons
- 6) The end of the 1st period will be signaled by a buzzer. Press the "Start" button to begin the 2nd period.
- 7) To reset the game, press the "+" and "-" buttons at the same time and hold for 2 seconds.
- 8). When the score for the home or visitor side reaches 99 in a period, press "pause" button then press "home/reset" of "visitor/reset" to restart the point at "00", next press the "pause" button and play again.
- 9). **Note: Make sure the "on/off" switch is switched OFF on the control box, when you connecting or replacing any plug or wire.**

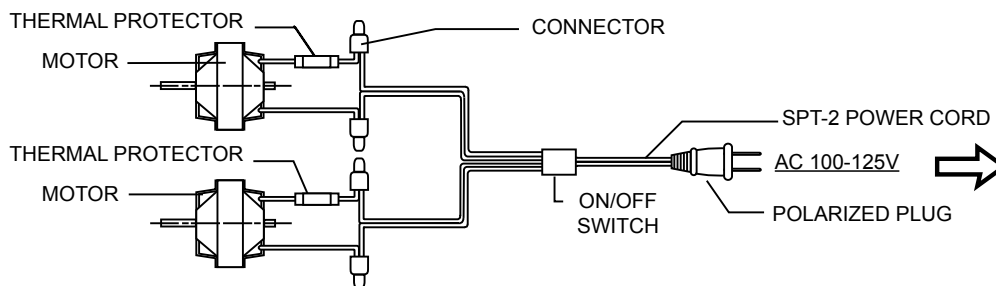
NOTE: The scoreboard will shut off automatically after 20 minutes. If not in use, however, we suggest turning the power off when the game will not be used for an extended period of time.

HOCKEY GAME RULES:

- 1) This game is designed to be played with two (2) players, one at each end, or with four (4) players, two at each end of the game table.
- 2) Flip a coin to determine who will begin play, or a face-off can be held at the center of the table.
- 3) Play begins when the puck is placed on the playing surface. Players must hit the puck with the hand-held pushers and attempt to shoot into the opponent's goal.
- 4) One point is awarded when a puck is shot into the opponent's goal.
- 5) Winning the game: the winning score is accomplished by being the first player to reach a predetermined score or by being the player to score the most points within a given period.

MAINTAINING YOUR GAME:

- 1) Wipe playing surface with a clean cloth before and after each use.
- 2) While table is on, vacuum gently with a soft brush attachment on a vacuum cleaner.
- 3) In the event the puck becomes rough or scuffed, use a sheet of extra fine sand paper to lightly rub until the puck is smooth.
- 4) For faster play, wipe down the playing surface with a spray wax and cloth. (**NOTE:** Do not spray the wax directly on the table. Spray it on a cloth first.) Make sure the blower is on to prevent clogging the holes.

SCHEMATIC DIAGRAM

ELECTRIC RATING : AC 100 -125 V, 50/60 HZ, 2 x 30/31 WATTS, 2850/3400 RPM

Come Explore our Website! (www.sportcraft.com) Join our mailing list to receive more information on product updates and event announcements. Or, complete your warranty registration on-line. You can even order replacement parts, and learn more about our company.



Mt. Olive, NJ 07828
www.sportcraft.com
 Printed in China



LIMITED WARRANTY

Limited Warranty

KT Sports (the "Company") warrants the Product to be free from defects in workmanship and materials under normal use and conditions FOR A PERIOD OF ONE YEAR FROM THE DATE OF ORIGINAL PURCHASE in the United States and Canada.

Product Registration Card

The Product Registration Card must be filled out completely and mailed to the Company at the address printed on the card within 10 days from the date of your purchase of the Product.

What Is Covered

Except as provided below, this Limited Warranty covers all defects in materials and workmanship. This Limited Warranty is void if the Product is:

- Damaged through improper usage, negligence, misuse, abuse, transportation damage, acts of nature, or accident (including failure to follow the instructions supplied with the Product)
- Used in commercial applications or rentals
- Modified or repaired by anyone not authorized by the Company.

What Is Not Covered

This Limited Warranty does not cover expendable items such as batteries, light bulbs, fuses, accessories, cosmetic parts and other items that wear out due to normal usage.

What The Company Will Pay For

If during the one year Limited Warranty period, any part or component of the Product is found by the Company to be defective, the Company will, at its option, repair the Product, replace the Product with a new Product (either the same or an equivalent model) or cause the original retailer of the Product to exchange the Product with a new Product (either the same or an equivalent model) or refund the original purchase price of the Product, without charge for labor or parts. The Company's obligation to repair, replace or exchange the Product, however, shall be limited to the amount of the original purchase price of the Product.

How To Obtain Warranty Service

In order to enforce your rights under this Limited Warranty, you must follow these procedures:

- You must have completed and mailed the Product Registration Card to the Company within 10 days of purchase of the Product.
- You must include THE ORIGINAL COPY OF YOUR SALES RECEIPT.
- You must call the Company's Consumer Service Department at 1-800-526-0244 from 9:00 A.M. to 5:00 P.M. (EST) to notify the Company of the nature of the problem and to obtain instructions for how to obtain servicing. At the Company's option, the Product may be serviced at your location or at a location designated by the Company.
- If you are instructed to return the Product to the Company for servicing, you are responsible for shipping the Product, at your expense, to the address designated by the Company in packaging that will protect against further damage.
- You must also include your name, address, daytime telephone number, model number of the Product and a description of the problem.
- The Company will pay for any shipping charges to return the repaired or replaced Product to you.

THIS LIMITED WARRANTY IS AVAILABLE ONLY TO THE ORIGINAL PURCHASER OF THE PRODUCT AND IS VALID IN THE UNITED STATES AND CANADA ONLY.

THE COMPANY'S LIABILITY IS LIMITED TO THE REPAIR OR REPLACEMENT, AT ITS OPTION, OF ANY DEFECTIVE PRODUCT AND SHALL NOT INCLUDE ANY LIABILITY FOR INDIRECT, INCIDENTAL OR CONSEQUENTIAL DAMAGES OF ANY KIND.

THIS WARRANTY IS EXPRESSLY MADE IN LIEU OF ALL OTHER WARRANTIES, EXPRESSED OR IMPLIED.

SOME STATES DO NOT ALLOW LIMITATIONS ON HOW LONG AN IMPLIED WARRANTY LASTS OR DO NOT ALLOW FOR EXCLUSION OF INCIDENTAL OR CONSEQUENTIAL DAMAGES. TO THAT EXTENT, THE ABOVE LIMITATIONS MAY NOT APPLY TO YOU.

This Limited Warranty gives you specific legal rights, but you may also have other rights that vary from state to state.

If you have questions regarding this Limited Warranty or the operation of the Product, you may call or write us:

**Consumer Service Department
313 Waterloo Valley Rd.
Mt. Olive, NJ 07828
1-800-526-0244**

0504 TG

****NOTE: Please save your original proof of purchase as it is needed should you require warranty service.**



Send this form along with your check or money order payable to:

Sportcessories

313 Waterloo Valley Road
Mt. Olive, NJ 07828
www.sportcraft.com

PARTS RE-ORDER FORM

2-1-57-013 HG - TURBO HOCKEY GAME

NAME: _____ DATE: _____
 ADDRESS: _____ PHONE: _____
 CITY: _____ STATE: _____ ZIP CODE: _____

REF	QUANTITY ORDERED	PART #	DESCRIPTION	UNIT PRICE	TOTAL AMOUNT
1		9-3-34-012HG01	Leg	10.00 ea	
2		9-3-34-012HG02	Leg Cover	5.00 ea	
3		9-3-34-074HG09	Leg Support Base	8.00 ea	
4		9-3-34-058HG01	Leg Support - A	8.00 ea	
5		9-3-34-058HG02	Leg Support - B	8.00 ea	
6		9-3-34-089HG05	8 x 38mm Allen Key Bolt	0.50 ea	
7		9-3-27-093SC28	22mm Flat Washer	0.50 ea	
8		9-3-36-020HG09	6 x 45mm Allen Key Bolt	0.50 ea	
9		9-3-27-093SC11	18mm Flat Washer	0.50 ea	
10		9-3-34-001HG05	22 Gram Power Round Puck (Red)	2.50 ea	
11		9-3-34-001HG10	Deluxe Power Pusher (Black)	5.00 ea	
12		9-3-34-056HG51	Deluxe Power Pusher (Red)	5.00 ea	
13		9-3-34-040AHG06	Puck Return Box with Trigger	3.00 ea	
14		9-3-34-015SC10	Forward Goal Trigger	2.00 ea	
15		9-3-34-406HG07	Puck Return Tray with Screw	3.00 ea	
16		9-3-34-091HG07	5mm Allen Key	3.00 ea	
17		9-3-34-406HG08	Adjustable goal	8.00 ea	
18		9-3-34-086HG08	6" Metal Leg Leveler	5.00 ea	
19		9-3-34-074HG04	Die Cast Slide Scorer Assembly	6.00 ea	
20		9-3-27-080SC21	3.5 x 25mm Wood Screw	0.50 ea	
21		9-3-34-089HG13	3.5 x 14mm Washer Head Screw	0.50 ea	
22		9-3-34-058HG04	Blower and Wire Connector	20.00 ea	
23		9-3-34-089HG16	4 x 65mm Wood Screw	0.50 ea	
24		9-3-34-058HG03	3 x 16mm Flat Head Screw	0.50 ea	
25		9-3-34-034-HG12	Name Plate	2.00 ea	
26		9-3-34-089HG14	1.2x10mm Nail	0.50 ea	
27		9-3-34-058HG05	Lower End Apron	8.00 ea	
28		9-3-34-058HG06	Lower Side Apron	10.00 ea	
29		9-3-34-082HG16	Metal Plate	0.50 ea	
30		9-3-34-082HG17	6 x 12mm Allen Key Bolt	0.50 ea	
31		9-3-34-012HG14	Apron Corner (Black)	6.00 ea	
32		9-3-34-012HG15	Apron Corner with Window (Black)	8.00 ea	
33		9-3-34-012HG16	Storage Door.	4.00 ea	
34		9-3-34-012HG17	Top Storage Drawer (Black)	8.00 ea	
35		9-3-34-012HG18	Bottom Storage Drawer (Black)	8.00 ea	
36		9-3-34-086HG19	Puck Catcher Wire	3.00 ea	
37		9-3-34-406HG09	Control Wire	3.00 ea	
38		9-3-34-406HG10	Connecting Box	5.00 ea	
39		9-3-34-406HG11	Scorer- Home with 18" Wire & Screw.	15.00 ea	
40		9-3-34-406HG12	Scorer- Home with 43" Wire & Screw.	15.00 ea	
41		9-3-34-406HG13	Scorer- Visitor with 18" Wire & Screw.	15.00 ea	
42		9-3-34-406HG14	Scorer- Visitor with 43" Wire & Screw	15.00 ea	
43		9-3-34-406HG15	Scorer- Clock with Wire & Screw	15.00 ea	
44		9-3-34-406HG16	Control box with Screw	5.00 ea	
45		9-3-34-406HG17	Connecting Wire	3.00 ea	
46		9-3-34-406HG18	Scorer Base Box with Scorer	10.00 ea	
47		9-3-34-004SC03	12V/ DC Adaptor	10.00 ea	
48		9-3-34-406HG19	ON/OFF Switch	2.00 ea	
49		9-3-34-040AHG11	Puck Return Cover	3.00 ea	
50		9-3-34-012HG21	4x40mm Flat Head Screw	0.50 ea	
51		9-3-57-013HG02	Top Corner Cap (Black)	3.00 ea	

OPTIONAL ACCESSORIES:

		9-3-00-001HG07	Table Cover	29.00 ea	
		9-3-00-001HG08	Table Cover w/Kit (pucks/pushers/cleaner)	35.00 ea	

Subtotal:

NJ (6%), IL (6.25%), and CA (7.75%) Residents Add State Sales Tax:

Shipping and Handling Charges: \$ 6.00 US

TOTAL: